



Circo

G20/G25/G31



Installation manual (GB/IE)



Store this document in a safe place



Contents

1. Introduction
 2. CE declaration
 3. SAFETY
 - 3.1 General
 - 3.2 Regulations
 - 3.3 Precautions/safety instructions during installation
 - 3.4 Second thermocouple safety
 - 3.5 Oxypilot safety
 4. Removing the packaging
 5. Installation
 - 5.1 Type of gas
 - 5.2 Gas connection
 - 5.3 Placing the appliance
 - 5.4 Placing a built-in appliance
 - 5.5 Placing the chimney breast
 - 5.6 Placing the control hatch
 - 5.7 Flue gas discharge system in appliances with open combustion
 - 5.7.1 General
 - 5.7.2 Connection flue gas discharge system
 - 5.8 Flue gas discharge / combustion air supply system in appliances with closed combustion
 - 5.8.1 General
 - 5.8.2 Construction of the concentric system
 - 5.8.3 Placing the concentric system
 - 5.8.4 Connection existing chimney
 - 5.9 Additional instructions
 - 5.9.1 Placing the appliance
 - 5.9.2 Gas connection
 - 5.9.3 Placing the receiver
 - 5.9.4 Placing the decoration ring
 - 5.10 Glass pane
 - 5.10.1 Removing glass pane
 - 5.10.2 Placing glass pane
 - 5.11 Setting the appliance
 - 5.11.1 Air inlet guide
 - 5.11.2 Restrictor slide
 - 5.12 Placing the wood set
 - 5.12.1 Wood set
 6. Wireless remote control
 - 6.1 Connecting the receiver
 - 6.1.1 Connecting the receiver
 - 6.1.2 Placing / replacing the receiver's batteries
 - 6.2 Setting the communication code
 7. Final inspection
 - 7.1 Gastightness
 - 7.2 Gas pressure/line-pressure
 - 7.3 Ignition pilot and main burner
 - 7.3.1 First ignition of the appliance after installation or adjustments
 - 7.3.2 Main burner
 - 7.4 Flame picture
 8. Maintenance
 - 8.1 Parts
 9. Delivery
 10. Malfunctions
- Appendix 1 Diagnosis of malfunctions
Appendix 2 Various tables
Appendix 3 Figures

1. Introduction

DRU, a manufacturer of gas-fired heating appliances, develops and produces products that comply with the highest quality, performance and safety requirements. This appliance has a CE label, which means that it complies with the essential requirements of the European gas appliance directive. The appliance is supplied with an installation manual and a user manual. As an installer, you must be certified and competent in the field of gas-fired heating. The installation manual will give you the information you need to install the appliance in such a way that it will operate properly and safely.

This manual discusses the installation of the appliance and the regulations that apply to the installation. In addition, you will find the appliance's technical data as well as information on maintenance, possible malfunctions that might occur and what may cause them.

The figures can be found at the back of this booklet, in the appendix.

Please, read and use this installation manual carefully and completely, prior to installing this appliance. If you use the DRU Powervent system®, the DRU Smartvent system® or the DRU Maxvent system®, you must carefully and fully read and use the accompanying installation manual as well, prior to its installation.

The following symbols are used in the manual to indicate important information:

➤ Work to be performed

!Tip Suggestions and recommendations

!Caution You will need these instructions to prevent problems that might occur during installation and/or use.

!Caution You need these instructions to prevent fire, personal injury or other serious damages.

After delivery, you should give the manuals to the user.

2. CE declaration

We hereby declare, that the design and construction method of the gas-fired heating appliance issued by Dru complies with the essential requirements of the gas appliance directive.

Product:	gas-fired heating appliance
Type:	Circo
EEC directives:	2009/142/EC
Standards:	NEN-EN-613 NEN-EN613/A1

Internal precautions at the company will guarantee that appliances produced in series comply with the essential requirements of the EC directives in force and the standards derived from them.

This declaration will lose its validity if adjustments are made to the appliance, without prior written permission by DRU.

M.J.M. Gelten
General manager
Postbus 1021, 6920 BA Duiven
Ratio 8, 6921 RW Duiven
www.dru.nl

3. SAFETY

3.1 General

- !Caution** - Please observe the generally applicable regulations and precautions/safety instruction in this manual.
 - First check the exact technical version of the appliance to be installed in Appendix 2, Table 2.

3.2 Regulations

Please install the appliance in accordance with the applicable national, local and constructional (installation) regulations.

3.3 Precautions / safety instructions during installation

Carefully observe the following precautions/safety regulations:

- You should only install and maintain the appliance if you are a certified and competent installer in the field of gas-fired heating;
- Do not make any changes to the appliance;
- If you are installing an appliance that must be built in;
 - use non combustible and heat-resistant material for the chimney breast, including the top of the chimney breast, the material inside the chimney breast and the back wall against which the appliance will be placed. For this you can use both sheet material and stone-like materials;
 - take sufficient measures to prevent high temperatures of the wall behind the chimney breast, including the materials and/or objects that are behind the wall;
 - comply with the minimum required internal measurements of the chimney breast;
 - vent the chimney breast by means of ventilation holes with a combined passage as stated further down in the text;
 - use heat-resistant electric connections and make sure that they do not make contact with the appliance;
- If you are installing an appliance with an open combustion: use a suitable flue gas discharge system that is provided with the CE label;
- if you are installing an appliance with a closed combustion: only use the concentric systems supplied by DRU;
- if you are installing a free-standing appliance: place the appliance away from the back wall by the minimum distance stated further down in the text;
- do not cover the appliance and/or do not wrap it in an insulation blanket or any other material;
- make sure that combustible objects and/or materials have a distance from the appliance of at least 500 mm
- only use the accompanying wood/pebble set and place it exactly as described;
- the space surrounding the pilot burner, 2nd thermocouple or ionisation pins must remain free;
- make sure there is no dirt in gas pipes and connections;
- place a gas tap in accordance with applicable regulations;
- prior to putting into operation, check the complete installation for gastightness;
- if your appliance is provided with explosion hatches on its top, you must make sure that they cannot be blocked and check whether they fit well onto the sealing surface, prior to building in the appliance;
- do not ignite the appliance before the gas and discharge connections have been fully installed, first observe the procedure described in chapter 7.3.
- replace broken or torn glass panes.

!Caution In case of broken or torn glass panes, the application may not be used.

3.4 Second thermocouple safety (if applicable, see Appendix 2, Table 2)

It is possible, that the appliance to be installed has 2 thermocouples. Thermocouple 1 is always next to the pilot burner, thermocouple 2 is always elsewhere above the main burner.

If the appliance is provided with a second thermocouple safety on the main burner, you need to know that it will intervene if no proper transfer has taken place from the pilot burner to the main burner or from the main burner itself. The gas supply will be interrupted after 22 seconds. In order to solve a poor or non-existent transfer from the pilot burner to the main burner, please use the malfunction search diagram in Appendix 1.

3.5 Oxypilot safety (if applicable, see Appendix 2, Table 2)

If the appliance is provided with an oxypilot safety, you need to know that it will intervene (the pilot flame and the gas supply to the main burner will be switched off) if insufficient combustion air (oxygen) is supplied.

Once the supply of combustion air is sufficient again, the appliance can be restarted.

The supply of fresh air can be controlled by installing/opening ventilation holes.

4. Removing the packaging

Note the following items when removing the packaging:

- Check the appliance and accessories for damages (during transport).
- If necessary, contact your supplier.
- Never install an appliance that is damaged !
- Remove any screws that are used to fix the appliance to a platform or pallet.

!Caution Heat-resistant glass is a ceramic material. Very small irregularities in the glass pane(s) cannot be avoided, but are within the required quality standards.

!Caution Keep plastic bags away from children.

In Appendix 2, Table 1 you can see which parts you should have after removing the packaging.

- Contact your supplier if you do not have all the parts after you finished removing the packaging.
- Dispose of packaging in accordance with local regulations.

5. Installation

Read this manual carefully to ensure the proper and safe installation of the appliance.

!Caution Install the appliance in the order described in this chapter.

- Please install the appliance in accordance with the applicable national, local and constructional (installation) regulations.
- Observe the regulations/instructions in this manual.

5.1 Type of gas

The data plate indicates for which type of gas, gas pressure and for which country this appliance is intended. The data plate can be found on the appliance or can be attached to a chain to which it should remain attached.

!Caution Check whether the appliance is suitable for the type of gas and the gas pressure used at the location.

5.2 Gas connection

Place a gas tap in the gas pipe in accordance with the applicable regulations.

!Caution Make sure there is no dirt in gas pipes and connections;

The following requirements apply to the gas connection:

- use a gas pipe with the correct dimensions, so that no pressure loss can occur;
- the gas tap must be approved (in the EU this will be the CE mark);
- you should always be able to reach the gas tap.

5.3 Placing the appliance

- !Caution**
- Always place the appliance with a minimum distance of 500 mm from combustible objects or materials;
 - Place the discharge pipes in such a way that situations with risk of fire can never occur;
 - Always place the appliance in front of a wall of non combustible and heat-resistant material;
 - Always maintain a minimum distance between appliance and back wall, if indicated in the dimensional drawing (Appendix 3, fig. 2);
 - Take sufficient measures to prevent high temperatures of a possible wall behind the chimney breast, including the materials and/or objects that are behind the wall;
 - Do not cover the appliance and/or do not wrap it in an insulation blanket or any other material;
 - Make sure that the appliance to be installed has a stable position. If applicable, this could also be done by fixing the extension legs with self-tapping screws.

!Caution When installing an appliance that has to be built in, take the following into account:

- The minimum construction dimensions according to Appendix 3, fig. 1 and 2;
 - The construction height of the appliance, which you can determine yourself.
- Provide a gas connection at the location. For details, see section 5.2.
 - Make a passage for the flue gas discharge system or the concentric system with the following diameters; for details, see section 5.7 or 5.8:
 - the pipe diameter +10 mm for a passage through non combustible material;
 - the pipe diameter +100 mm for a passage through combustible material.

!Caution Starting at section 5.9, you will find additional instructions that are specifically needed for the installation of your appliance.

5.4 Placing a built in appliance (if applicable)

Not all built in appliances by DRU are supplied with a control hatch. If it is not included, this control hatch is available separately. We recommend using the Dru control hatch at all times. In this chapter, it is assumed that the appliance is used with a control hatch.

!Caution If you do not use a recommended Dru control hatch, please strictly observe the safeguards and necessary instructions stated in chapters 5.4 to 5.6.

If you are not using the control hatch, please take the following into account as well:

- the accessibility of components that are normally placed in the control hatch;
- the maximum temperature of these components (maximum 60 °C).

The gas control is mounted under the appliance, at the burner mounting plate. It must be taken out and placed in the control hatch at a later time. For placing the gas control in the control hatch, see section 5.6.

Follow the procedure described below:

- Disconnect the pipes from the gas control (flexible gas pipe, aluminium pilot burner pipe and thermocouple 1);

!Caution The red wire of thermocouple 2, if applicable, must remain connected to the gas control.

- Disconnect the gas control from the burner mounting plate by unscrewing the self-tapping screw.
- Carefully unwind the red and black wire of thermocouple 2, if applicable.
- Carefully lay the gas control together with the wires of thermocouple 2, the ignition cable, the flexible gas hose, the aluminium pilot burner pipe and the type plate plus chain in the direction of the control hatch.

!Caution - Make sure there is no dirt in gas pipes and connections;
- Avoid kinks in the pipes.

!Caution - Make sure the ignition cable cannot come into contact with other wires;
- The data plate should remain attached to the chain.

- Set the height of the appliance using the adjustable feet and
- Make the appliance level at the same time.

!Tip The construction frame for most 2 or 3 sided appliances can be adjusted. This will allow you to connect the construction frame to the chimney breast correctly. For 2 or 3 sided appliances that cannot be adjusted, we would like to refer you to chapter 5.9 'Additional instructions'.

!Caution do not ignite the appliance before the gas and discharge connections have been fully installed, first observe the procedure described in chapter 7.3.

5.5 Placing the chimney breast (if applicable)

In order to provide proper heat discharge, there should be sufficient space around the appliance. The chimney breast should be ventilated sufficiently by means of ventilation holes (incoming and outgoing).

!Caution - Use non combustible and heat-resistant material for the chimney breast, including the top of the chimney breast, the material inside the chimney breast and the back wall of the chimney breast;
- Make sure that the appliance is not carrying the weight of the chimney breast when using stone-like materials;
- The passage of the ventilation holes (outgoing), which are placed as high as possible, is stated in Appendix 2, Table 2.

!Caution When placing the chimney breast, you should take the following into account (see Appendix 3, fig. 2):

- the location of the control hatch: this must be placed as low as possible;
- the dimensions of the control hatch; see Placing the control hatch section 5.6;
- the Dru control hatch is not supplied with all appliances. Nevertheless, we recommend only using a Dru control hatch, which can be supplied separately, if necessary. If you decide not to take this option, you will have to make a 100 cm² ventilation hole that is placed as low as possible, for the benefit of the incoming ventilation.
- the location of the ventilation holes (V) (outgoing);
- maintain a minimum 30 cm distance between the top of the ventilation hole (outgoing) and the ceiling of the house.
- the measurements of the glass pane, so that it can be placed/removed after placing the chimney breast;
- the protection of the gas control and the pipes against cement and plaster.

!Tip You should preferably apply the ventilation holes (outgoing) on both sides of the chimney breast. You can use DRU ventilation elements.

- Prior to completely closing the chimney breast, check whether the discharge / concentric system is placed correctly.
- whether the channels, fixing brackets and possible clip bindings, which cannot be reached after installation, are fastened by means of self-tapping screws.

➤ If applicable, do not plaster on or over the edges of the construction frame, because:

- the heat of the appliance could cause cracks;
- it will no longer be possible to remove/place the glass pane.

➤ When using stone-like materials and/or a plaster finishing, allow the chimney breast to dry for at least six weeks prior to using the appliance in order to prevent cracks.

5.6 Placing the control hatch (if applicable)

The control hatch (also see paragraphs 5.4 and 5.5) is placed as low as possible in the chimney breast.

!Caution - The bottom of the control hatch may not be placed higher in the appliance than the burner surface.

A number of components are placed in the control hatch, such as data plate, gas control, receiver belonging to the remote control and, if applicable, the control panel of the DRU Maxvent system® or the components belonging to the DRU Powervent system®.

Place the control hatch as follows; see Appendix 3, fig. 3 for details:

- Make an opening in the chimney breast of 285 x 194 mm (h x w).
- Place the inner frame (1); unscrew bolts (5) for this.

!Tip - When the chimney breast is made of bricks, the inner frame can be built with bricks at the same time

- When using a different material, you can glue the inner frame or fix it with four flush screws.

- Mount the gas control to the brackets of the inner frame (2).
- Reconnect the pipes to the gas control.

!Caution - Avoid kinks in the pipes;

- Tighten the flexible gas pipe and the pilot burner pipe until they are gastight.
- First tighten the thermocouple by hand and;
- Then tighten it a quarter turn using a suitable spanner;
- The pilot burner pipe must be protected against possible corrosive influences as a result of, for example, humidity, cement that has fallen down, dirt that has fallen down from the chimney, etc. The pilot burner pipe should remain permanently free from the ground and the walls of the room in which the appliance is built in.

- Make sure there is no dirt in gas pipes and connections.
- Connect the gas pipe to the gas tap.
- Bleed the gas pipe.
- Place the receiver in the holder (3); for connecting, see section 6.1.
- Place the data plate in its intended clamp (6).
- Fix the outer frame with door (4) to the inner frame using 2 socket cap screws (5).

!Tip You can place the outer frame in such a way, that the door turns to the left or to the right.

5.7 Flue gas discharge system in appliances with open combustion

For connection to an existing chimney without a discharge pipe or flexible SS discharge – only allowed in Great Britain – the instructions provided in the separately supplied booklet 'Fitting into a conventional class 1 chimney' apply. In addition to the installation instructions, this booklet also contains supplementary tests.

5.7.1 General

The appliance's type of discharge system is stated in Appendix 2, Table 2.

The appliance must be connected to an existing or newly built chimney, in accordance with the applicable national, local and constructional (installation) regulations.

5.7.2 Connection of flue gas discharge system (if a class 1 chimney is not applicable)

At least a 3 metre discharge pipe or a flexible SS discharge should be connected to the appliance. Bends in the flue gas discharge system are not allowed.

- !Caution** - Maintain a distance of at least 50 mm between the outside of the concentric system and the walls and/or ceiling. If the system is built in (for instance) a cove, it should be made with non combustible material all around it;
- Use heat-resistant insulation material when passing through combustible material.
 - Use a flue gas discharge system with the correct diameter, and which is provided with the CE mark.

!Caution Some heat-resistant insulation materials contain volatile components that will spread an unpleasant smell during a longer period; these are not suitable.

Place the flue gas discharge system as follows:

- Connect the pipe pieces or flexible SS discharge.
- You should only install the appliance in a well ventilated room which complies with the applicable national, local and constructional (installation) regulations, in order to guarantee sufficient air supply.

!Tip When the appliance is installed in a house with a mechanical air extraction system and/or an open kitchen with cooker hood, you will need a permanent ventilation hole near the appliance; for this application, please observe the gas installation regulations and the local instructions.

5.8 Flue gas discharge / combustion air supply system in appliances with closed combustion

5.8.1 General

The appliance's type of discharge system is stated in Appendix 2, Table 2.

The appliance will be connected to a combined flue gas discharge / combustion air supply system, hereafter to be referred to as the concentric system.

The passage to the outside can be made with both a wall terminal and roof terminal. If necessary, you can also use an existing chimney (see section 5.8.4).

- !Caution** - Only use the concentric system supplied by DRU This system has been tested in combination with the appliance. DRU cannot guarantee a proper and safe operation of other systems and does not accept any responsibility or liability for this;
- For connecting to an existing chimney you should only use the chimney kit supplied by DRU.

The concentric system is constructed from (the flue spigot of) the appliance.

If, due to constructional circumstances, the concentric system is placed first, it is possible to connect the appliance by means of a telescopic pipe piece.

5.8.2 Construction of the concentric system

Depending on the construction of the concentric system, the appliance will have to be further adjusted with possibly a restrictor slide or air inlet guide.

See Tables 4 and 6 for determining the correct adjustment and section 5.9, Adjustment of the appliance, for the method of working.

The concentric system with wall or roof terminal has to comply with the following conditions:

- First, a concentric pipe of minimum length should be connected vertically to the appliance, according to Appendix 2, Table 4 or 5.
- Determine the permissibility of the required discharge.

When using a **wall terminal**, the following applies:

- The total vertical pipe length, when using a wall terminal, may have a maximum length that you can find in Appendix 2, Table 4. In that case, a 90° bend will be connected after the vertical part;
- The total horizontal pipe length, when using a wall terminal, may have a maximum length that you can find in Appendix 2, Table 4 (without wall terminal; see Appendix 3, fig. 4).

When using a **roof terminal**, the following applies:

- The construction of the chosen system, when using a roof terminal, must be permissible according to Appendix 2, Table 5. (See the method of working described below)

The working method below indicates how the permissibility is determined of a concentric system when using a roof terminal.

- 1) Count the number of 45° and 90° bends required
- 2) Count the total number of whole metres of horizontal pipe length;
- 3) Count the total number of metres of vertical and/or sloping pipe length (roof terminal excluded).
- 4) In the first 2 columns of Table 5, look for the number of bends required and the total horizontal pipe length.
- 5) In the top row of Table 5, look for the required total vertical and/or sloping pipe length.
- 6) If you end up in a box with a letter, the concentric system chosen by you is permissible.
- 7) Use Table 6 to determine how the appliance should be adjusted

5.8.3 Placing the concentric system

- !Caution**
- Maintain a distance of at least 50 mm between the outside of the concentric system and the walls and /or ceiling. If the system is built in (for instance) a cove, it should be made with non combustible material all around it;
 - Use heat-resistant insulation material when passing through combustible material;
 - The rosette of the wall terminal is too small to seal the opening when passing through combustible material. That is why you should first apply a sufficiently large heat-resistant intermediate sheet to the wall. Then, the rosette is mounted on the intermediate sheet.

The roof terminal can end in a sloping and a flat roof.

The roof terminal can be supplied with a glue plate for a flat roof or with a universally adaptable tile for a sloping roof.

- !Caution** Some heat-resistant insulation materials contain volatile components that will spread an unpleasant smell during a longer period; these are not suitable.

Place the concentric system as follows:

- Build the system up from (the flue spigot of) the appliance.
- Connect the concentric pipe pieces and, if necessary, the bend(s).
- On each connection, apply a clip binding with silicon sealing ring.
- Use a self-tapping screw to fix the clip binding to the pipe on locations that cannot be reached after installation.
- Apply sufficient wall brackets, so that the weight of the pipes does not rest on the appliance.
- Attach the wall terminal from the outside by means of four screws.
- Determine the remaining length for the wall or roof terminal and cut it to size, make sure the correct insertion length is maintained.
- Place the wall terminal with the (groove/folded) seam at the top;

!Caution - When using the wall terminal, place the terminal with a downward slope of 1 cm / metre towards the outside, in order to prevent rain water from raining in.

5.8.4 Connection to an existing chimney

It is possible to connect the appliance to an existing chimney.

A flexible SS pipe is placed in the chimney with a fitting diameter at the flue gas discharge pipe, for the discharge of flue gas. The surrounding space is used to supply combustion air.

The following requirements apply when connecting to an existing chimney:

- only allowed when used in combination with the special DRU chimney kit. The installation regulation is also supplied;
- the internal dimensions should be at least 150 x 150 mm;
- the vertical length has a maximum of 12 metres;
- the total horizontal pipe length may have a maximum length that you can find in Appendix 2, Table 4;
- the existing chimney has to be clean;
- the existing chimney has to be tight.

For adjusting the appliance, the same conditions/instructions apply as for the concentric system described above.

5.9 Additional instructions

!Tip It will be easier to reach the gas control, if you remove the front panel

5.9.1 Placing the appliance

When placing the appliance, please take the following aspects into account:

➤ Make sure the appliance is stable and level it using the adjustable feet (see Appendix 3, Fig. 5 (K)).

!Caution Maintain a minimum distance of 40 mm between the appliance and the back wall (see Appendix 3, Fig. 2).

5.9.2 Gas connection

At the back of the appliance you will find a round plate that can be removed by pressing on it, for the benefit of the gas connection (from the wall). However, it is also possible to make the gas connection (from the floor) via the bottom side of the appliance.

!Tip When installing an appliance where the air inlet guide has to be removed, you should remove the air inlet guide before connecting the gas pipe. In reverse order, it will be difficult to remove the back plate. This problem only occurs in case of a gas connection via the round recess at the back of the appliance and not in case of a connection via the bottom side.

- Make sure there is no dirt in gas pipes and connections;
 - Connect the gas pipe to the gas tap;
 - Bleed the gas pipe;
 - Place the receiver for the remote control (see section 5.9.3).

5.9.3 Placing the receiver

The appliance is equipped with an electronic ignition through the remote control. The receiver should be placed in the appliance. Follow the procedure described below:

➤ Stand on the left side of the appliance, in front of the left side panel (see Appendix 3, Fig. 5 (C)).

!Caution The side panels (C and D) have their hinges at the back of the appliance.

➤ Open the left side panel (C) by grabbing it at the bottom and as far as possible to the right (glass pane side) and pulling it towards you;

!Caution The side panels open and close by means of a snap-on system (S). When opening and closing the panels you could experience some resistance. That is normal.

- Put the receiver at the right location (see Appendix 3, Fig. 6);
- Connect the receiver to the appliance according to the instructions in section 6.1;
- Close the left side panel (C) by carefully pressing the panel in the snap connections.

5.9.4 Placing the decoration ring

The decoration ring (see Appendix 3, Fig. 8 (A)) lies on the ground and provides the connection of the appliance to the floor.

Place the decoration ring as follows:

- Open the left side panel (see Appendix 3, Fig. 5 C);
 - Open the right side panel (D) by grabbing it at the bottom and as far as possible to the left (glass pane side) and pulling it towards you.
 - Loosen the bolt (see appendix 3, fig. 7 (T)) by a few turns.
 - Unscrew the 2 bolts and 2 nuts (see Appendix 3, Fig. 7 (Q)) from the front panel (B), which is located below the glass pane.
 - Remove the front panel (B).
 - Place the round decoration ring (see Appendix 3, Fig. 8 (A)) by hitching it to the back panel (H).
- !Caution Do not bend the round decoration ring open towards the outside by means of both hands. Else the ring could lose its round shape. Carefully guide the decoration ring around the appliance's adjustable feet. Foot by foot, towards the left OR towards the right.
- Place back the front panel (B), by:
 - tightening the bolt and nut at the left side;
 - pulling the front panel around the glass pane, using the tensioning bolt (T);
 - tightening the bolt and nut at the right side.

!Tip Only place back the front panel once the log set has been placed.

➤ Close the left and right side panels, by carefully pressing them in the snap connections until they are closed.

5.10 Glass pane

- !Caution**
- Avoid damaging the pane during removal/placing;
 - Avoid/remove fingerprints on the glass pane, as they will burn into the glass.

5.10.1 Removing the glass pane

When removing the front glass pane, you should follow the next steps:

- Open the left (see Appendix 3, Fig. 5 (C)) and right side panel (D);
- Loosen the 2 bolts (see Appendix 3, Fig. 8 (P)) of the top panel (G) by a few strokes;

!Caution Do not completely remove the bolts.

- Slide the top panel (G) upwards a little bit, so some play is created in relation to the glass pane.
- Loosen the bolt (see appendix 3, fig. 7 (T)) by a few turns.
- Fully unscrew the 2 bolts and nuts (see Appendix 3, Fig. 7 (Q)) of the front panel (B);
- Remove the front panel (B);
- Fully unscrew the 3 nuts (see Appendix 3, Fig. 9 (R)) in the left glass strip and the 3 nuts (R) in the right glass strip;
- Remove the left and right glass strip (E and F);

!Caution Hold the glass pane in the middle, so it cannot fall out.

- Slightly move the bottom side of the glass pane towards you and remove the glass pane (see Appendix 3, Fig. 10).

5.10.2 Placing the glass pane

Placing the glass pane will take place in reverse order of removing the glass pane, as described above.

- !Caution**
- Avoid/remove fingerprints on the glass pane, as they will burn into the glass.
 - Do not overtighten the bolts and nuts, since otherwise they could break or strip the thread: tight=tight;

!Caution Check whether the insulating rope is neatly around the slot of the combustion chamber.

When placing back the glass pane, observe the following instructions:

- Slowly slide the glass pane upwards back to its location and allow the glass pane to rest on the lower strip;
- Make sure the glass pane is placed exactly in the middle of the appliance (see Appendix 3, Fig. 11).

!Caution Keep holding the glass pane in the middle, so it does not fall back.

- !Tip** First fasten the left side of the front panel (B) when placing it back, pull the front panel around the glass pane using the tensioning bolt (T) and then fasten the right side.

5.11 Setting the appliance

The appliance has to be set in such a way that it works correctly in combination with the discharge system used. For that purpose, a restrictor slide is placed and/or an air inlet guide is removed. The conditions for application with wall terminal and roof terminal are stated in appendix 2, tables 4, 5 and 6.

5.11.1 Air inlet guide

The air inlet guide (L) is located at the back at the bottom of the appliance's combustion chamber (see Appendix 3, Fig. 12 and 13).

If you want to remove it, proceed as follows:

- Remove the glass pane as described in section 5.10.1.
- Fully unscrew the 2 bolts of the top panel (G), (see Appendix 3, Fig. 8 (P));
- Remove the top panel (G);
- Slide the back panel (see Appendix 3, Fig. 12 (H)), which is fixed with 4 hooks in 4 slots, upwards and remove it;

!Caution The decoration ring is hitched to the back panel. Make sure the decoration ring remains at its location when removing the back panel (H).

- Completely unscrew the 2 self-tapping screws of the lower cover plate (I);
- Remove the lower cover plate from the appliance;
- Unscrew the 2 self-tapping screw at the back of the appliance and remove them (see Appendix 3, Fig. 13);
- Now remove the air inlet guide (L) from the inside;

!Caution Close the two holes created by removing the 2 self-tapping screws, using the supplied sealing caps (see Appendix 3, Fig. 13);

- Place back the back panel, by allowing the 4 hooks to drop into the 4 slots;

!Tip The lower two hooks are longer. Allow them to drop into the slots first, followed by the two upper hooks.

- Hitch the decoration ring to the back panel again;
- Place back the lower cover plate;
- Then place back the top panel;
- Place back the glass pane.

!Tip When installing an appliance, whereby a restrictor slide has to be placed, you should not place back the top panel and glass pane just yet.

5.11.2 Restrictor slide

The restrictor slide (R) is supplied separately (see Appendix 3, Fig. 14).

It is mounted as follows:

- Remove the glass pane as described in section 5.10.1;
- Fully unscrew the 2 bolts of the top panel (see Appendix 3, Fig. 8 (P));
- Remove the top panel (G);
- Unscrew the 2 self-tapping screws of the upper cover plate (see Appendix 3, Fig. 14 (J));
- Remove the upper cover plate (J);
- Unscrew the 2 self-tapping screws from the combustion chamber; they are on the inside at the top of the appliance;
- Place the restrictor slide (R);

!Caution The restrictor slide may only be placed in one way. Therefore, observe the instructions in Appendix 3, Fig. 14.

- Tighten the 2 self-tapping screws by a few strokes, but not yet fully tight;
- Set the position of the restrictor in accordance with table 6;
In the restrictor slide, the 3 possible positions are indicated by 3 cut out triangles. The letters at these triangles correspond with the letters in table 6.
- Make sure that the point of the triangle that belongs to the position required by you and the centre of the self-tapping screw are exactly aligned.
- Now tighten the 2 self-tapping screws;
- Place back the upper cover plate;
- Place back the top panel;
- Place back the glass pane as described in section 5.10.2.

5.12 Wood set

The appliance is supplied with a wood set.

!Caution Strictly observe the following instructions to prevent unsafe situations:

- only ever use the supplied wood set
- place the wood set exactly as described
- make sure the pilot burner and the surrounding space remain free (see Appendix 3, fig. 15);
- make sure thermocouple 2 and the surrounding space remain free (see Appendix 3, fig. 16);
- make sure the slot between and around the burners remains free;
- make sure that the vermiculite's fine dust does not get on the burners.

5.12.1 Wood set

The wood set consists of vermiculite (see Appendix 3, fig. 17), chips (see Appendix 3, fig. 18) and a number of logs. Glow material (see appendix 3, fig. 19) is not part of the appliance's standard equipment and is available at your dealer.

- Fill the burners with vermiculite; spread the vermiculite evenly (see Appendix 3, fig. 20). The vermiculite may not reach higher than the edge of the burners.

!Caution

- You can influence the flame picture by moving the vermiculite,
- yet the burner decks have to remain covered with vermiculite in order to prevent that the life span of the burners is reduced.

- Identify the logs A to D (see Appendix 3, fig. 21).

!Tip Use the burn stains on the logs for identification.

- Place log A and part of the supplied chips at the back of the combustion chamber (see Appendix 3, fig. 22).
- Place log B over the burner and on log A (see Appendix 3, fig. 23).
- Place log C in the position bracket and on log B. Spread out the remaining chips (see Appendix 3, fig. 24).

!Caution Do NOT place chips over the slot around and between the burners.

- Then place log D in front of the burner on log C and the chips (see Appendix 3, fig. 25).

!Caution The logs should not completely cover the burner pattern, because:

- the main burner will not ignite properly; which could result in unsafe situations;
- the appliance will become filthy more quickly, as a result of soot;
- the flame picture will be affected.

6. Wireless remote control

The appliance is supplied with a wireless remote control.

Controlling the flame height, igniting and switching off take place through a remote control controlling a receiver. Chapter 4, Wireless remote control, in the User Manual describes the operation of the appliance and how you should use the remote control.

!Caution Do not ignite the appliance before the gas and discharge connections have been fully installed, first observe the procedure described in chapter 7.3;

Below, we will describe how the receiver is connected.

6.1 Connecting the receiver

Your appliance is equipped with an electronic ignition through the remote control. The receiver should be connected to the appliance, before the batteries are installed.

- Connect the receiver according to Appendix 3, fig. 38.
- Bend the antenna (N) out of the clips and place it erect (Appendix 3, fig. 39).

- !Tip**
- The plugs have different sizes that correspond with the connectors.
 - The size of the eye corresponds with the size of the screw;
 - The colours of eye and screw correspond as well.
 - Place the batteries as described below in section 6.1.1.

- !Caution**
- Do not place the ignition cable over and/or along metal, stone or concrete parts: this will weaken the spark. Make sure the cable is hanging freely.
 - Make sure that the wires of thermocouple 2 cannot come into contact with hot parts
 - Keep the ignition cable at least 10 cm away from the antenna, in order to avoid damaging the receiver.
 - Avoid formation of dust on or in the receiver: cover it when performing work.
 - Place the receiver in its intended holder under the appliance or in the control hatch according to Appendix 3, fig. 39.
 - If you want to use an adapter, only an adapter supplied by DRU will guarantee a proper operation of the receiver.

6.1.1 Placing / replacing the receiver's batteries

Follow the procedure below when placing the batteries:

- Pick up the receiver and slide off the cover.
 - Place or remove the 4 penlite (AA type) batteries.
- !Caution**
- Observe the "+" and "-" poles of the batteries and the receiver;
 - Use alkaline batteries; rechargeable batteries are not allowed.
 - Batteries are regarded as "small chemical waste" and may therefore not be disposed with the household rubbish.
- Slide back the cover.
 - Place back the receiver.

6.2 Setting the communication code

Prior to putting the application into operation, a communication code must be set between the remote control and the receiver. If the receiver or the remote control are replaced, a new code will have to be set.

Follow the procedure described below:

- If necessary, place the batteries in the receiver's battery holder; see section 6.1.1.
- If necessary, place the 9V block battery in the remote control; see User Manual, section 1.1.
- Hold down the reset button on the receiver, until you hear two consecutive sound signals (see Appendix 3, fig. 40).
- After the second, longer signal, let go of the reset button.
- Press the 'small flame' button on the remote control for 20 seconds, until you hear two short sound signals: this is the confirmation of a good communication.

 small flame

 large flame

7. Final inspection

In order to check whether the appliance is working properly and safely, you must perform the following inspections before the appliance is used.

7.1 Gastightness

!Caution All connections must be gastight. Check the connections for gastightness. The gas control can be subjected to a maximum pressure of 50 mbar.

7.2 Gas pressure/line-pressure

The burner pressure is set at the factory; see data plate.

!Caution The line-pressure in house installations must be checked, because it can be wrong.

- Check the line-pressure; see Appendix 3, fig. 41 for the measuring nipple on the gas control.
- Contact the gas company if the line-pressure is not correct.

7.3 Ignition pilot and main burner

For igniting the pilot and main burner, see the User Manual, chapter 4, section 4.2, Remote control.

7.3.1 First ignition of the appliance after installation or adjustments

!Caution After installation, or after work has been performed, you should ignite the appliance for the first time without the glass window. If necessary, bleed the gas pipe.

Follow the procedure described below:

- If required, remove the glass window;
- Start the ignition procedure according to chapter 4 in the User Manual;
- If the pilot flame does not ignite:
 - repeat the ignition procedure until the pilot burner ignites;
 - consult the malfunction search diagram (Appendix 1) if this does not happen after a few attempts;
- After igniting the pilot flame, the main burner will ignite during the ignition procedure;
- Check whether the main burner continues to burn;
- If the main burner does not continue to burn:
 - repeat the ignition procedure until the main burner continues to burn
 - consult the malfunction search diagram (Appendix 1) if this does not happen after a few attempts;
- Switch off the appliance;
- Then mount the glass window as described in chapter 5.9;
- Repeat the ignition procedure a few times and perform the checks described in chapter 7.3.2;
- From now on, the pilot flame should ignite smoothly.

!Tip When checking whether the main burner continues to burn, it is possible that it still switches off after 22 seconds. This happens because the appliance is equipped with a second thermocouple and the glass window has not been placed. In this case you may presume that the main burner will continue to burn.

- !Caution**
- During the ignition process, you are not allowed to operate control button B on the gas control manually.
 - Always wait 5 minutes after the pilot flame has gone out, before you re-ignite the appliance.
 - You are not allowed to turn the pilot flame lower by using the settings on the gas control.

7.3.2 Main burner

- !Caution**
- The pilot burner should ignite the main burner within a couple of seconds, and without popping.
 - The main burner(s) must cross the full burner smoothly and without popping and continue to burn.

- Check operation of the main burner from a cold condition (pilot flame off):
- After opening the gas valve, the main burner should burn within a few seconds.

- !Tip**
- When the gas valve is opened, the motor will start to run; this is audible.
 - The flame picture and a good flame transfer can only be properly judged if the glass window is installed. Use the malfunction search diagram (Appendix 1) if the ignition of the main burner does not comply with the abovementioned requirements.

7.4 Flame picture

The flame picture can only really be assessed when the appliance has been burning for several hours. Volatile components from paint, materials, etc., which evaporate in the first hours, will affect the flame picture.

- !Caution** If the chimney breast has been made of stone-like materials or has a plaster finish, the appliance may only be put into operation 6 weeks after the chimney breast has been placed, in order to prevent shrinkage cracks.

- Check whether the flame picture is acceptable.
- Consult the malfunction search diagram (Appendix 1) if the flame picture is not acceptable.

8. Maintenance

The appliance must be inspected once per year by a skilled installer in the field of gas-fired heating, and repaired if necessary.

Check at least whether the appliance is working properly and safely.

- !Caution**
- Always close the gas tap during maintenance work;
 - Check the gastightness after repair;
 - After replacing thermocouple 1 you should first tighten the gland nut by hand and then give it another quarter turn with a suitable spanner;
 - You are not allowed to turn the pilot flame lower by using the settings on the gas control.
- If required, clean the following components:
- the pilot burner (malfunction search diagram, Appendix 1);
 - the space surrounding the pilot burner;
 - the glass pane(s).
- !Caution**
- Remove/place the glass pane(s) as described in section 5.10;
 - Remove the deposit on the inside of the glass pane(s) with a damp cloth or a non-abrasive detergent such as copper polish or a ceramic hot plate cleaner;
 - Avoid/remove fingerprints on the glass pane(s), since otherwise they will burn into the surface;
 - Replace a broken and/or cracked glass pane(s) as described in section 5.10.
- !Caution** If necessary, replace the wood or pebble set correctly; for this, see section 5.12.
- Inspect the flue gas discharge system.
- !Caution** You must always perform a final inspection.
- Perform the inspection as described in chapter 7.

8.1 Parts

Parts requiring replacement can be obtained from your supplier.

9. Delivery

You must explain to the user how to operate the appliance. You must give him/her instructions on putting it in operation, the safety measures, the operation of the remote control and annual maintenance (see the User Manual).

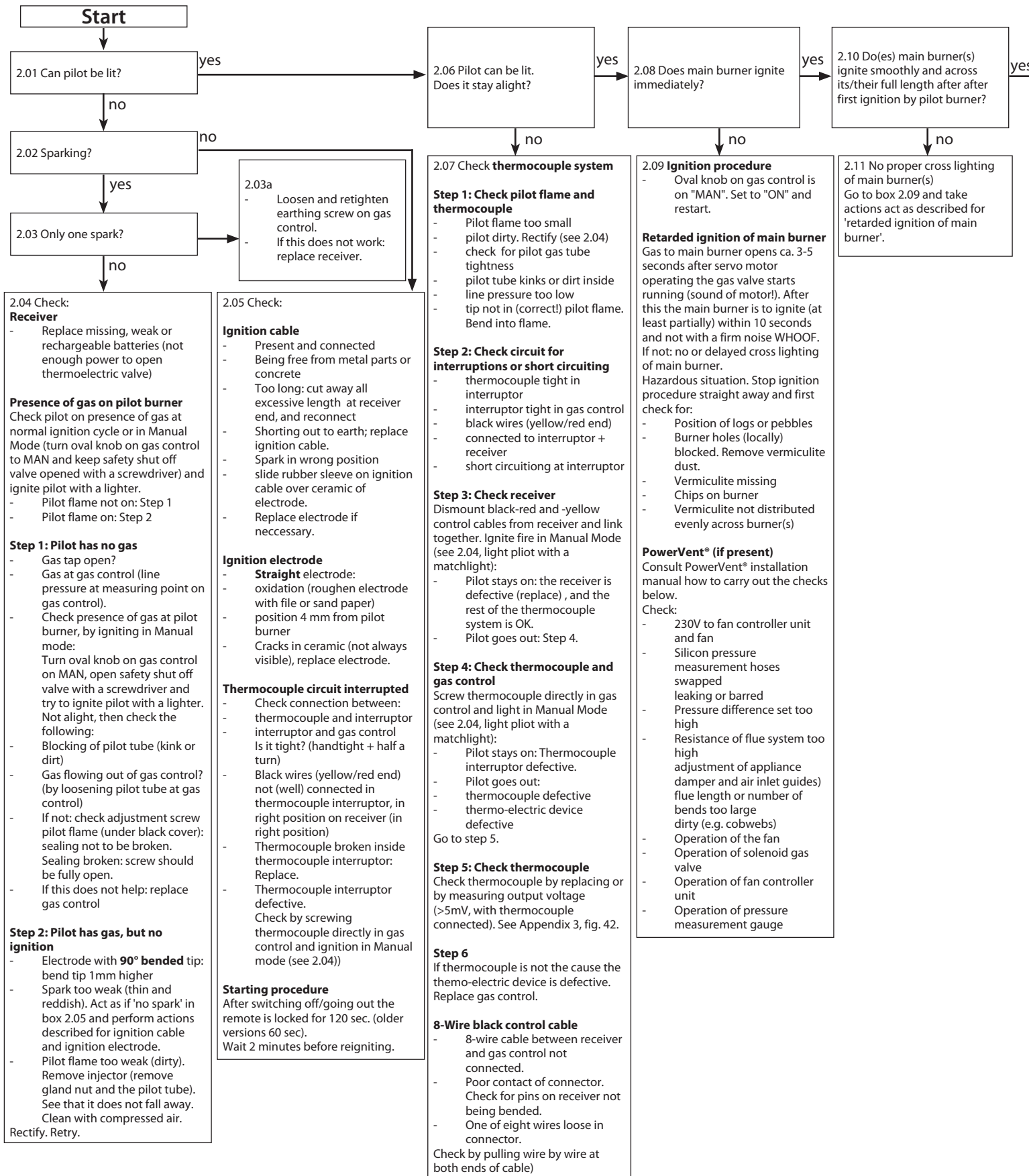
- !Caution** - Tell the user to close the gas tap immediately and contact the installer in case of malfunctions/poor operation. This to prevent unsafe situations;
- Indicate the location of the gas tap;
 - Point out the precautions in the user manual against unintended ignition by other wireless remote controls such as car keys and garage door openers.
- Instruct the user about the appliance and the remote control.
- When the appliance is started for the first time, point out that
- In order to avoid cracks in a chimney breast made of stone-like materials or finished with plaster, it should dry for at least 6 weeks prior to putting the appliance into operation.
 - When the appliance is stoked up for the first time, volatile components evaporate from paint, materials, etc. (First read chapter 3 of the User Manual as well !);
 - When evaporating, the appliance should preferably be set to the highest level;
 - The room should be well ventilated.
- Give the manuals to the user (all manuals should be stored near the appliance).

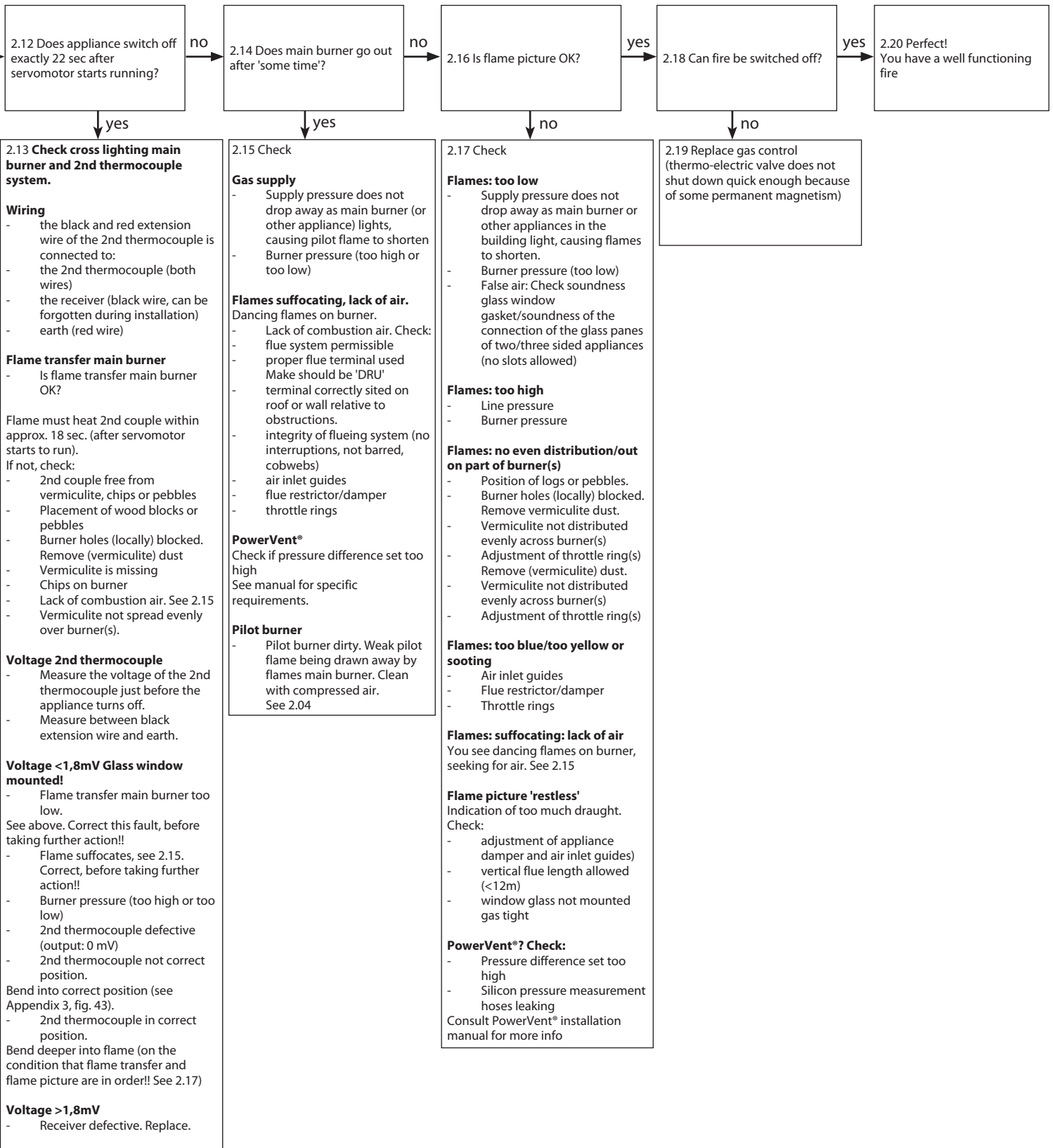
10. Malfunctions

In Appendix 1 you will find an overview of malfunctions that might occur, the possible causes and the remedies.

Appendix 1 diagnosis of malfunctions

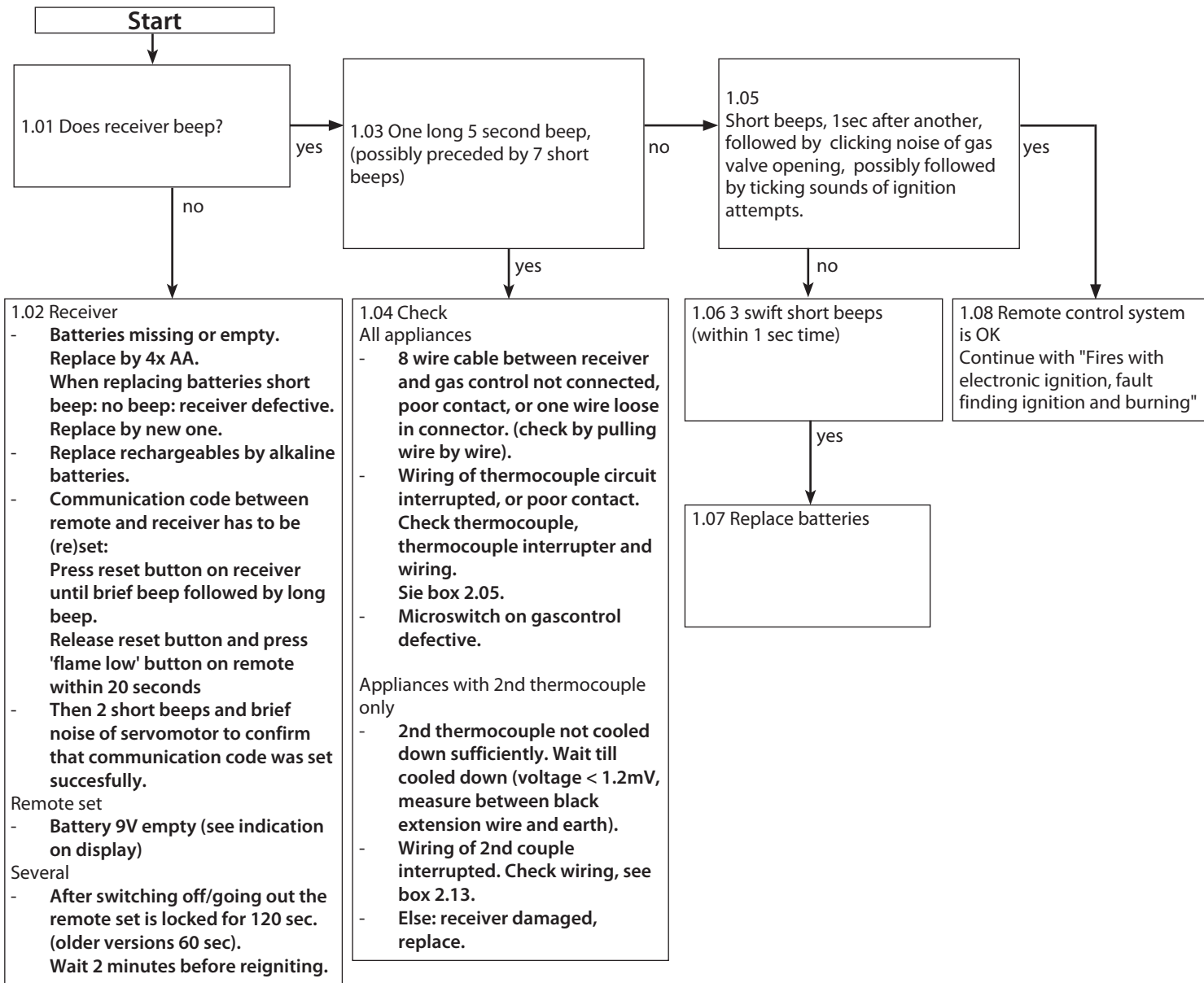
Fires with electronic ignition, fault finding: Ignition and burning





Malfunction search diagram atmospheric gas-fired heating appliance with electronic ignition: Starting up cycle

English



Appendix 2

Table 1: Parts included with the delivery	
Part	Number
Wood set	1x
Installation manual	1x
User manual	1x
Decoration ring	1x
Restrictor slide	1x
Hexagonal nut M5	2x
Washer 8.4 mm	2x
Sealing cap	2x
Socket spanner 8 mm	1x
Remote control with receiver	1x
9V block battery	1x
Penlite battery (AA type)	4x
Compression fitting 15 mm x G3/8"	1x

Table 2: Technical data

Table 2: Technical data				
Product name	Circo			
Type of appliance	Free-standing			
Combustion	Closed combustion			
Supply and discharge system	Concentric 150/100			
Flame protection version	Pilot flame with thermocouple			
2nd thermocouple safety	yes			
Atmosphere safety	no			
Explosion hatch	yes			
Type	C11/C31			
Type of gas		G20	G25	G31
Burner pressure	mbar	14,5	18,2	23,5
Nominal heat input (Hs)	kW	9,1	8,2	8,5
Nominal heat input (Hi)	kW	8,2	7,4	7,7
Nominal output	kW	7,0	6,0	6,2
Consumption	L/h	845	913	315
Burner injector	mm	1x Ø 1.70	1x Ø 1.70	2x Ø 1.15
		1x Ø 1.55	1x Ø 1.55	
Consumption on low output	L/h	424	468	222
Low setting injector	mm	Ø 1,70	Ø1,70	Ø 1.30
Pilot burner injector	Code:	51	51	30
Efficiency class		1	1	1

Table 3: Line-pressure when using G31	
Country	mbar
NL / DK / FI / NO / SE / HU / BA / GR	30
FR / BE / IT / PT / ES / GB / IE	37
D	50

Permissibility and conditions concentric system with wall terminal

Table 4: Conditions for setting the appliance					
G20/G25/G31					
Total number of meters of meters vertical pipe length	Total number of meters horizontal pipe length (excluding wall terminal)	See Figure	Air inlet guide	Restrictor slide	Distance of restriction in mm
1 ¹⁾ - 4	0 ²⁾	4	YES	NO	OPEN
1 ¹⁾ - 4	0 - 3	4	NO	NO	OPEN

1) minimum length
 2) factory setting

Permissibility and conditions concentric system with roof terminal

Table 5: Determining permissibility concentric system

G20/G25/G31	Total number of meters horiz. pipe length	Total no. of meters vertical and/or sloping pipe length											
		1 ¹⁾	2	3	4	5	6	7	8	9	10	11	12
no bends	0	B	B	B	C	C	C	C	C	D	D	D	D
2 bends	0	A	A	B	B	B	C	C	C	C	C	D	D
	1		A	A	B	B	B	C	C	C	C	C	
	2			A	A	B	B	B	C	C	C		
	3				A	A	B	B	B	C			
	4					A	A	B	B				
	5												
3 bends	0	A	A	A	B	B	B	C	C	C	C	C	D
	1		A	A	A	B	B	B	C	C	C	C	
	2			A	A	A	B	B	B	C	C		
	3				A	A	A	B	B	B			
	4					A	A	A	B				
	5												
4 bends	0	A	A	A	A	B	B	B	C	C	C	C	C
	1		A	A	A	A	B	B	B	C	C	C	
	2			A	A	A	A	B	B	B	C		
	3				A	A	A	A	B	B			
	4					A	A	A	A				
	5												
5 bends	-												

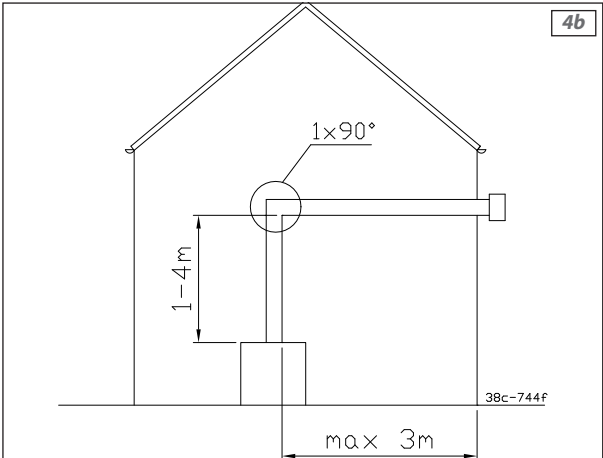
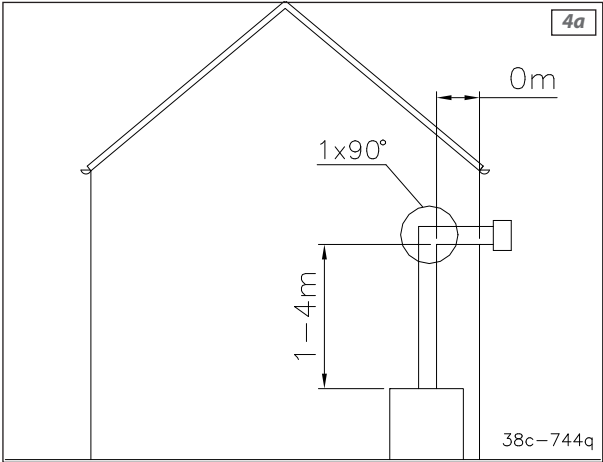
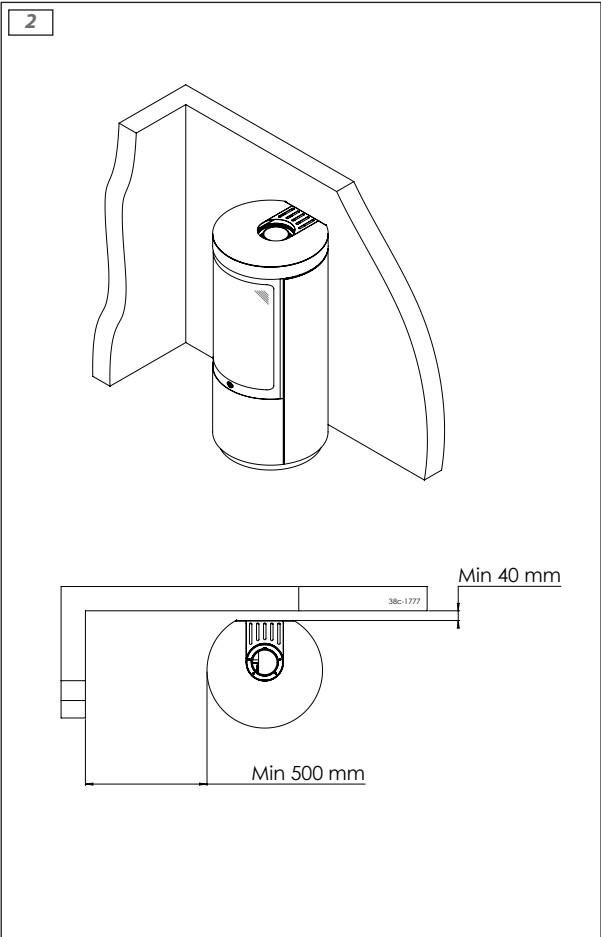
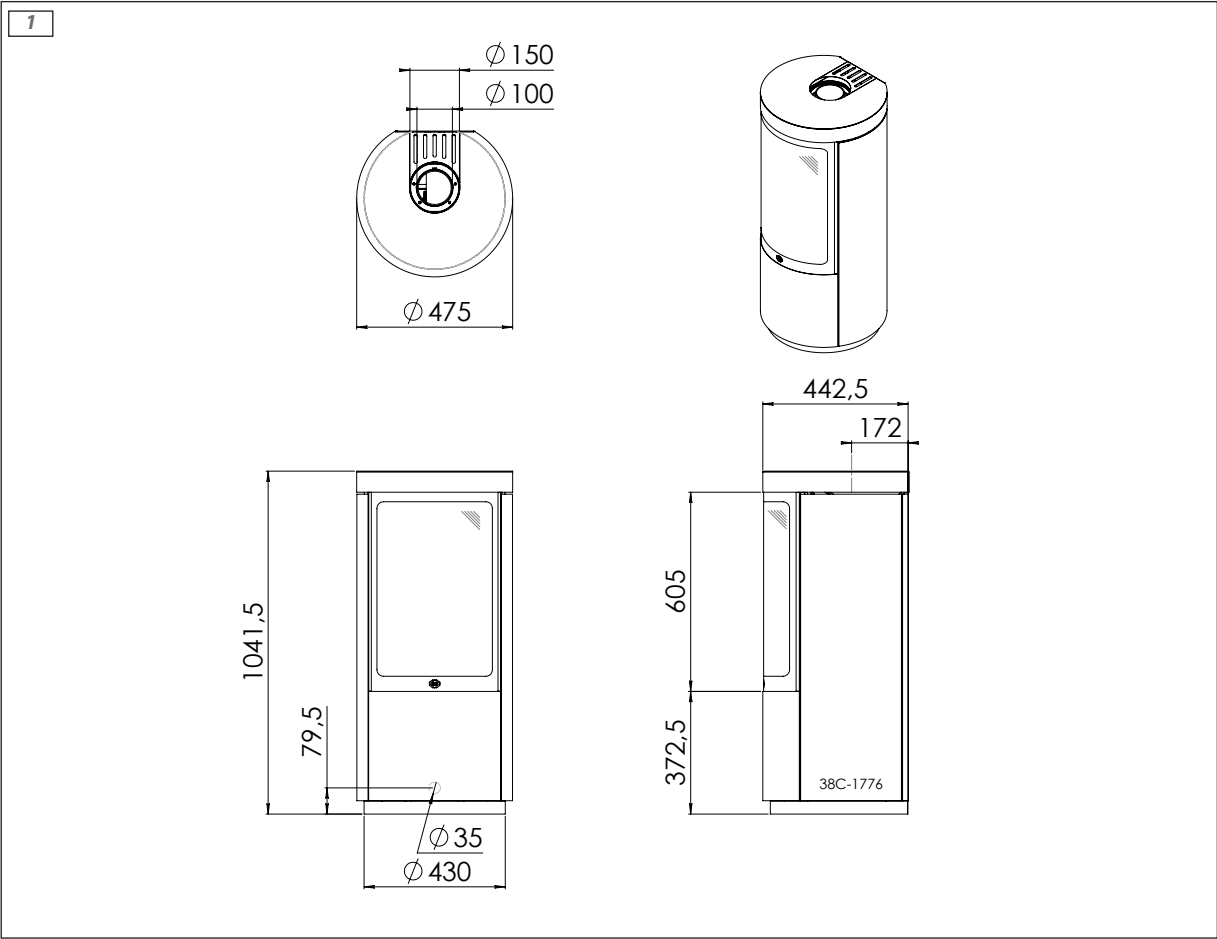
■ = Situation is not permissible

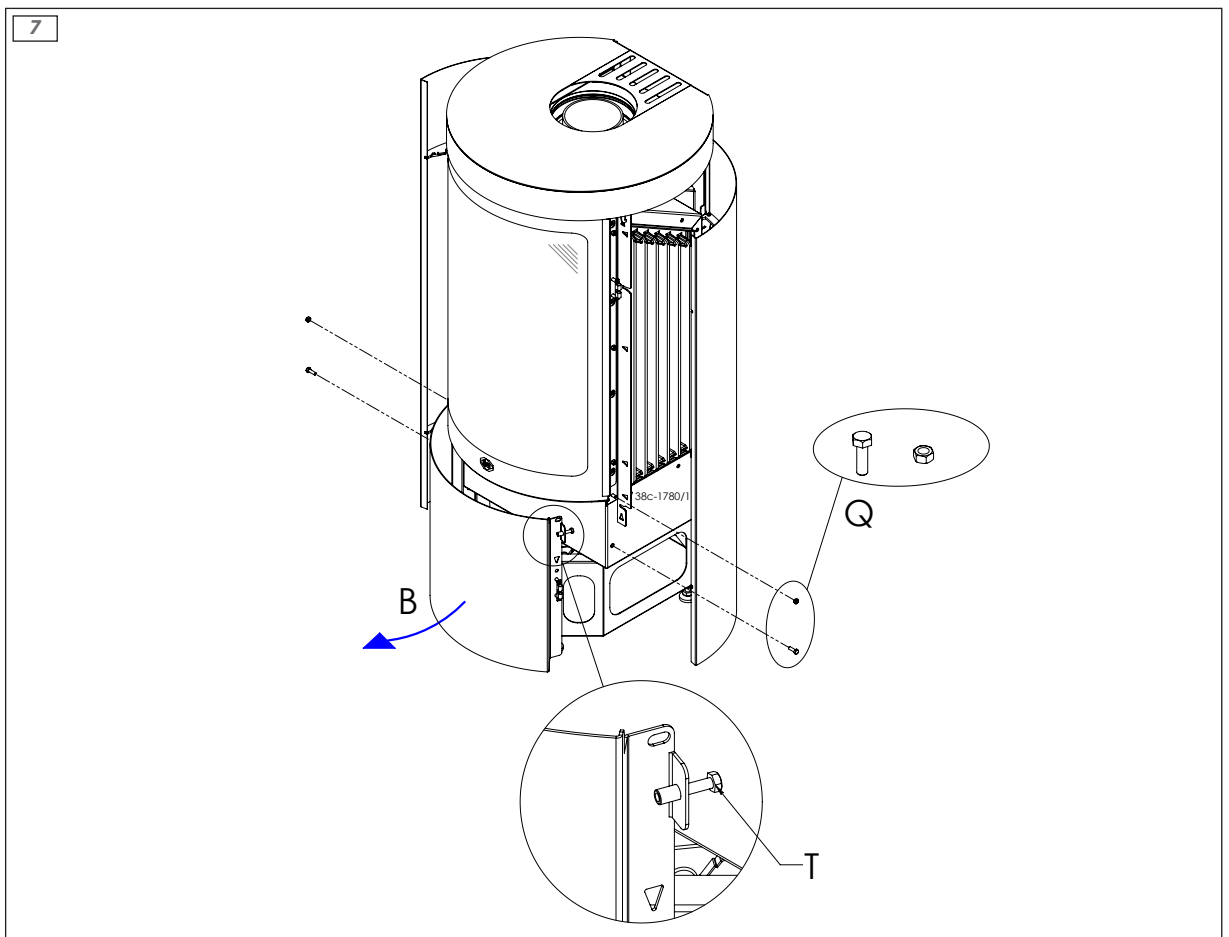
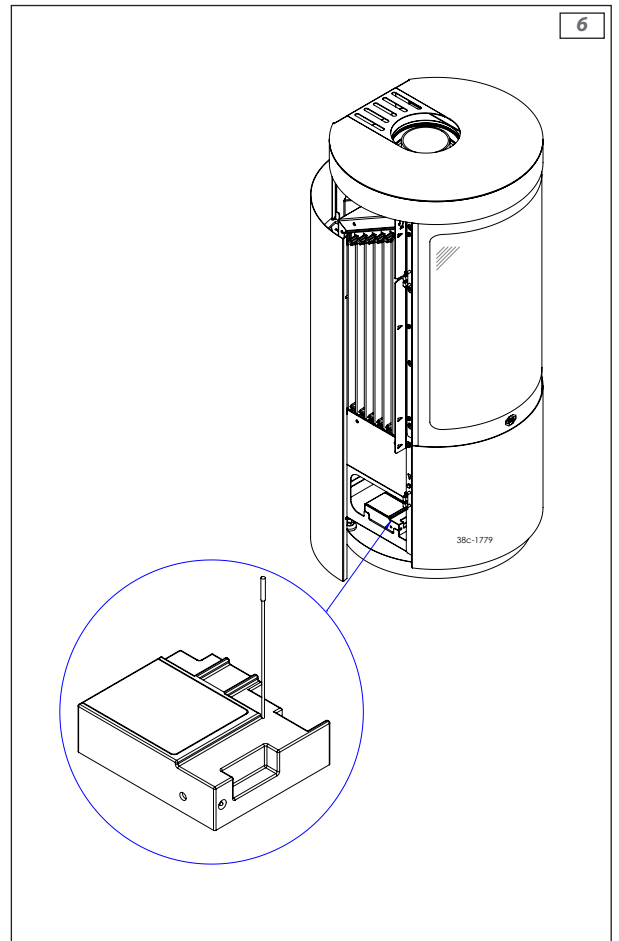
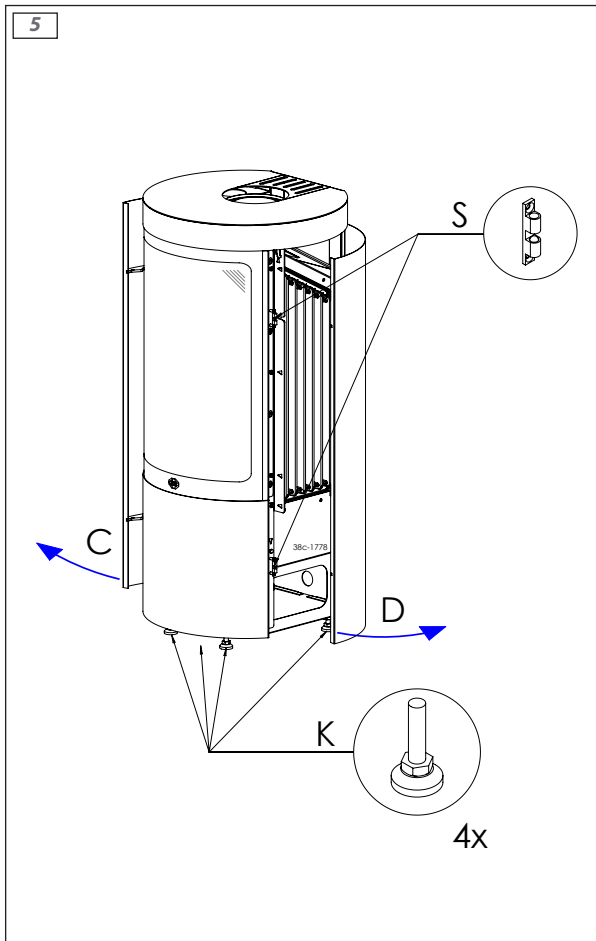
¹⁾ minimum length

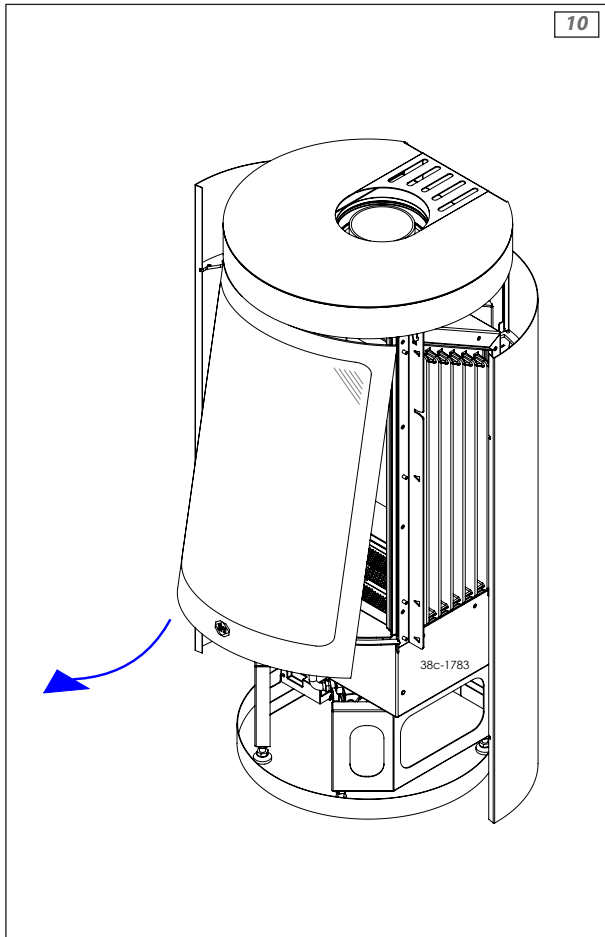
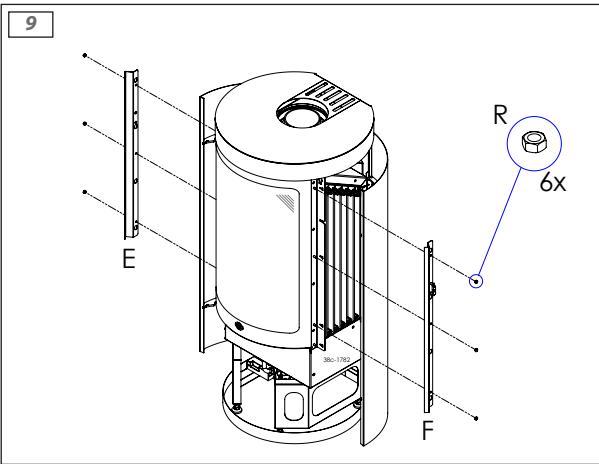
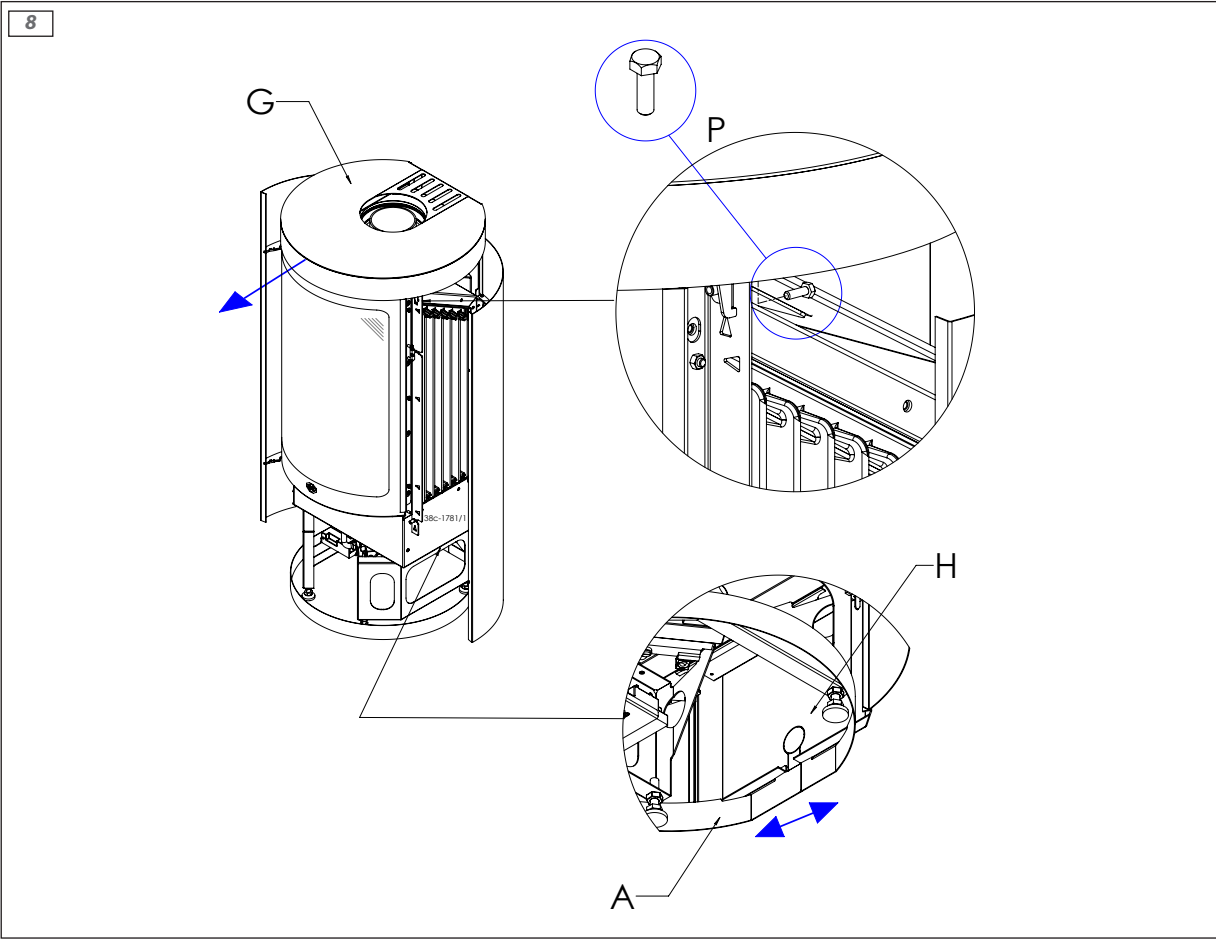
Table 6: Conditions for the adjustment of the appliance with a roof terminal

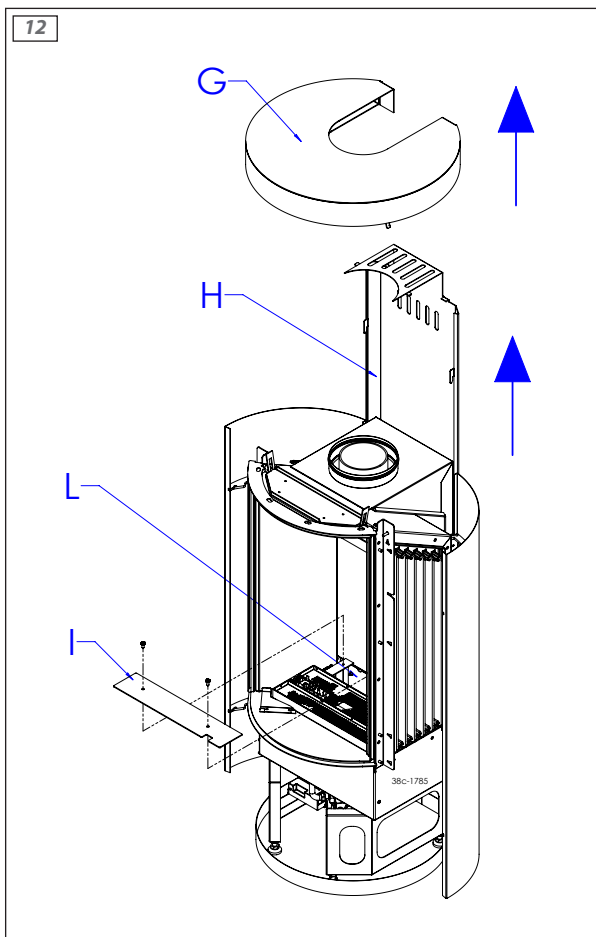
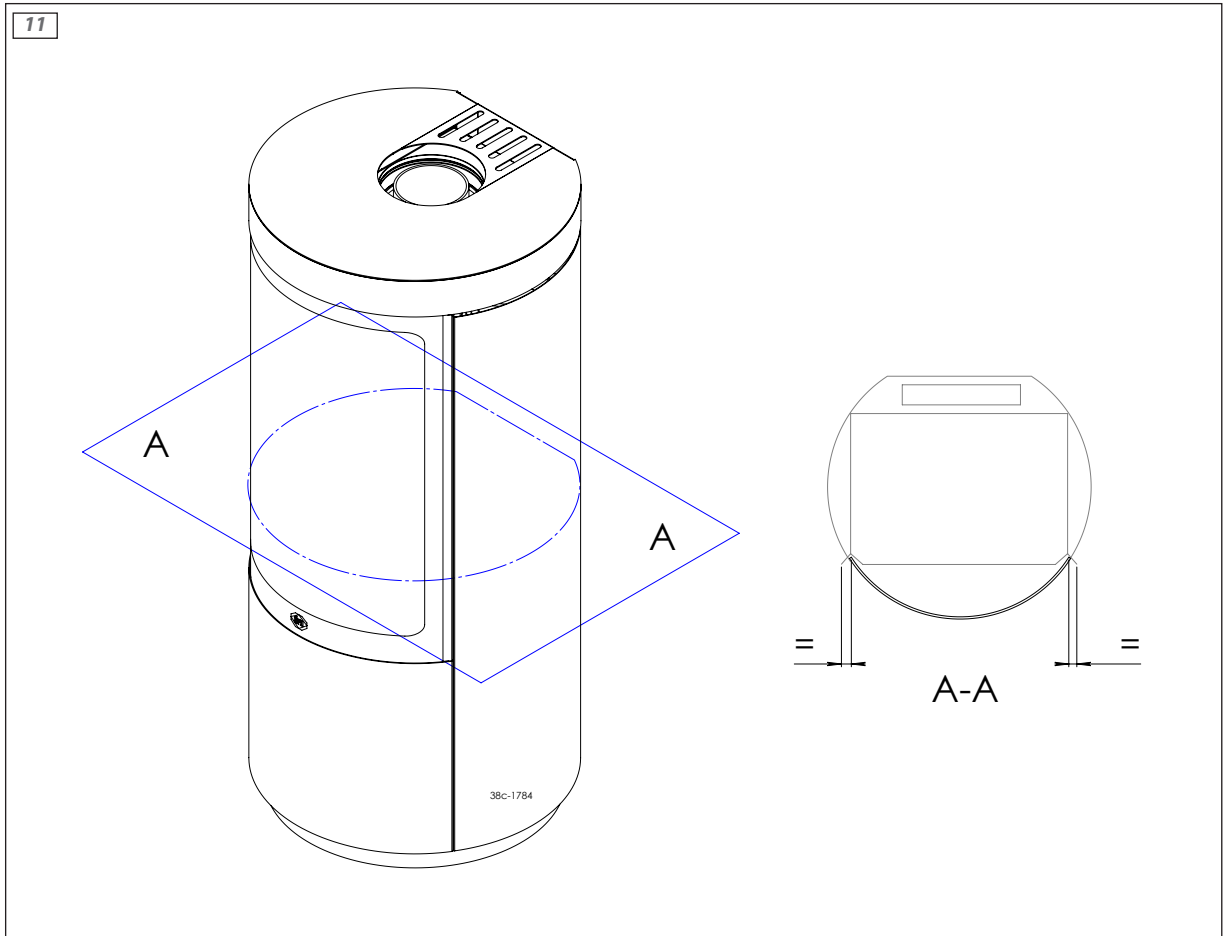
G20/G25/G31			
Situation	Air inlet guide	Restrictor slide	Distance restrictor in mm
A	NO	NO	OPEN
B	YES	YES	41
C	YES	YES	34
D	YES	YES	25

Appendix 3 Figures

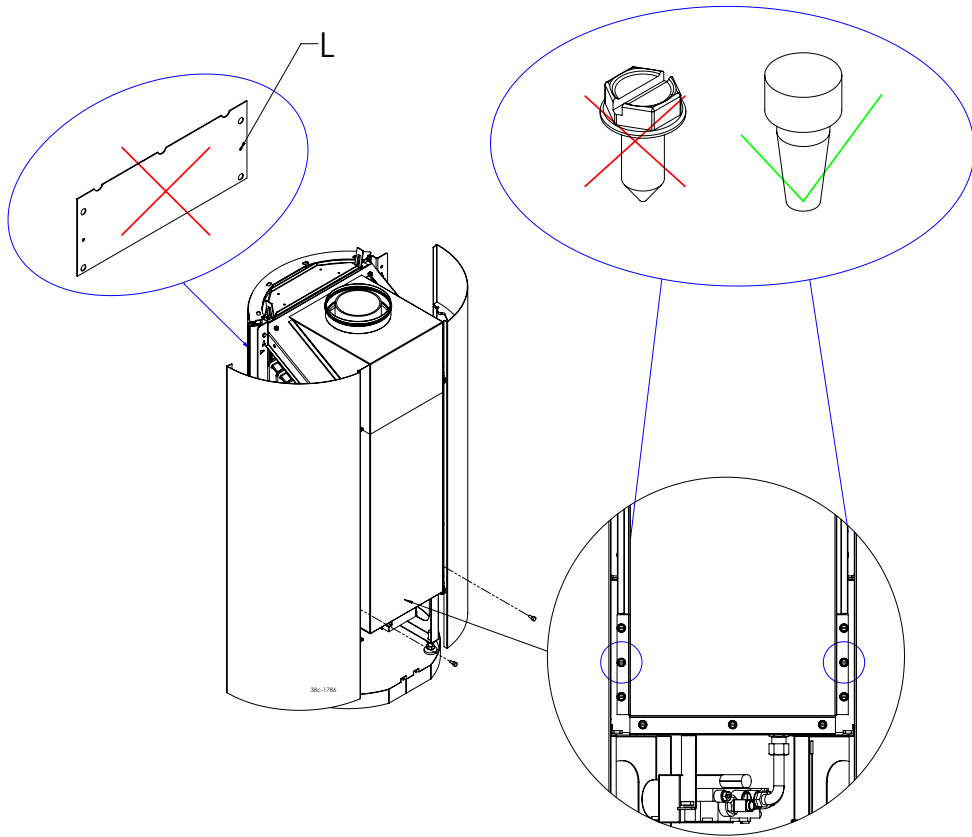




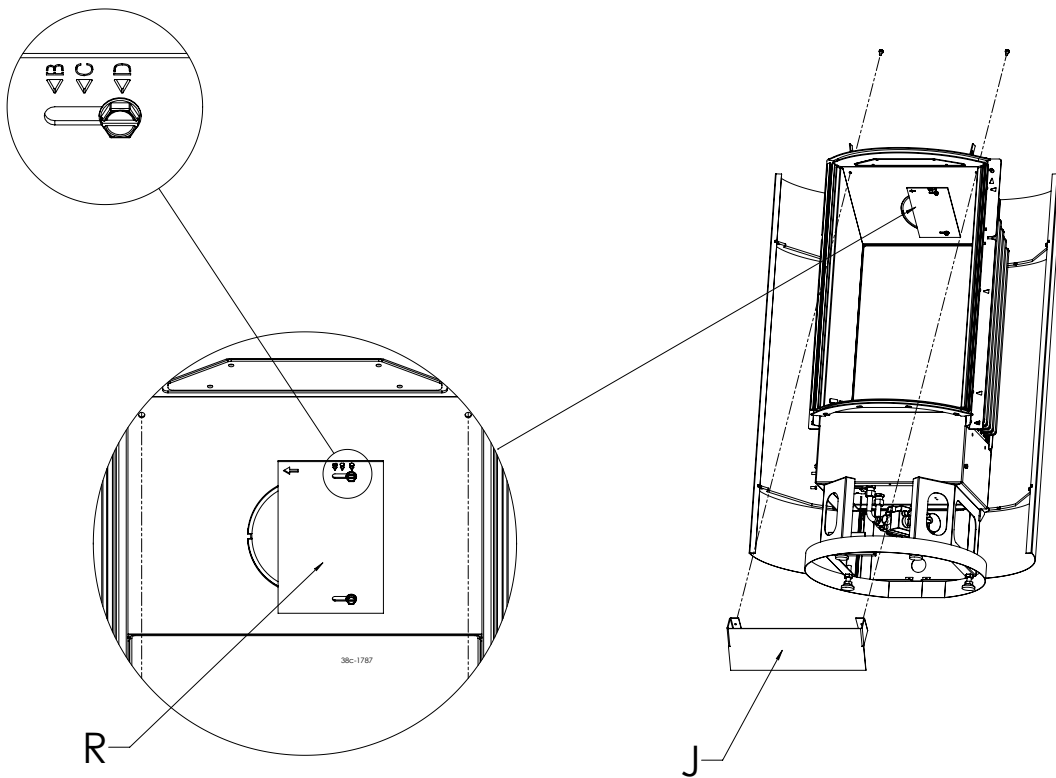




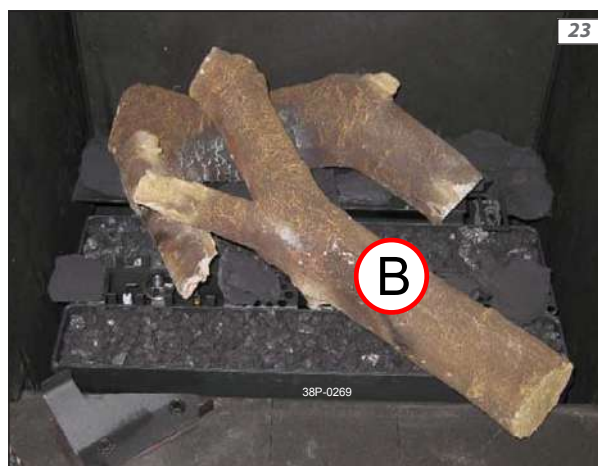
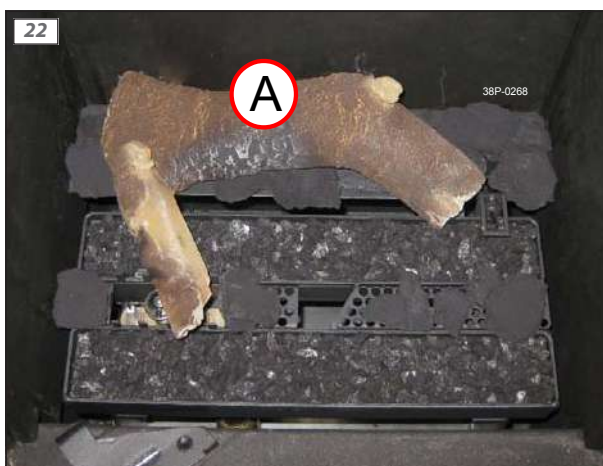
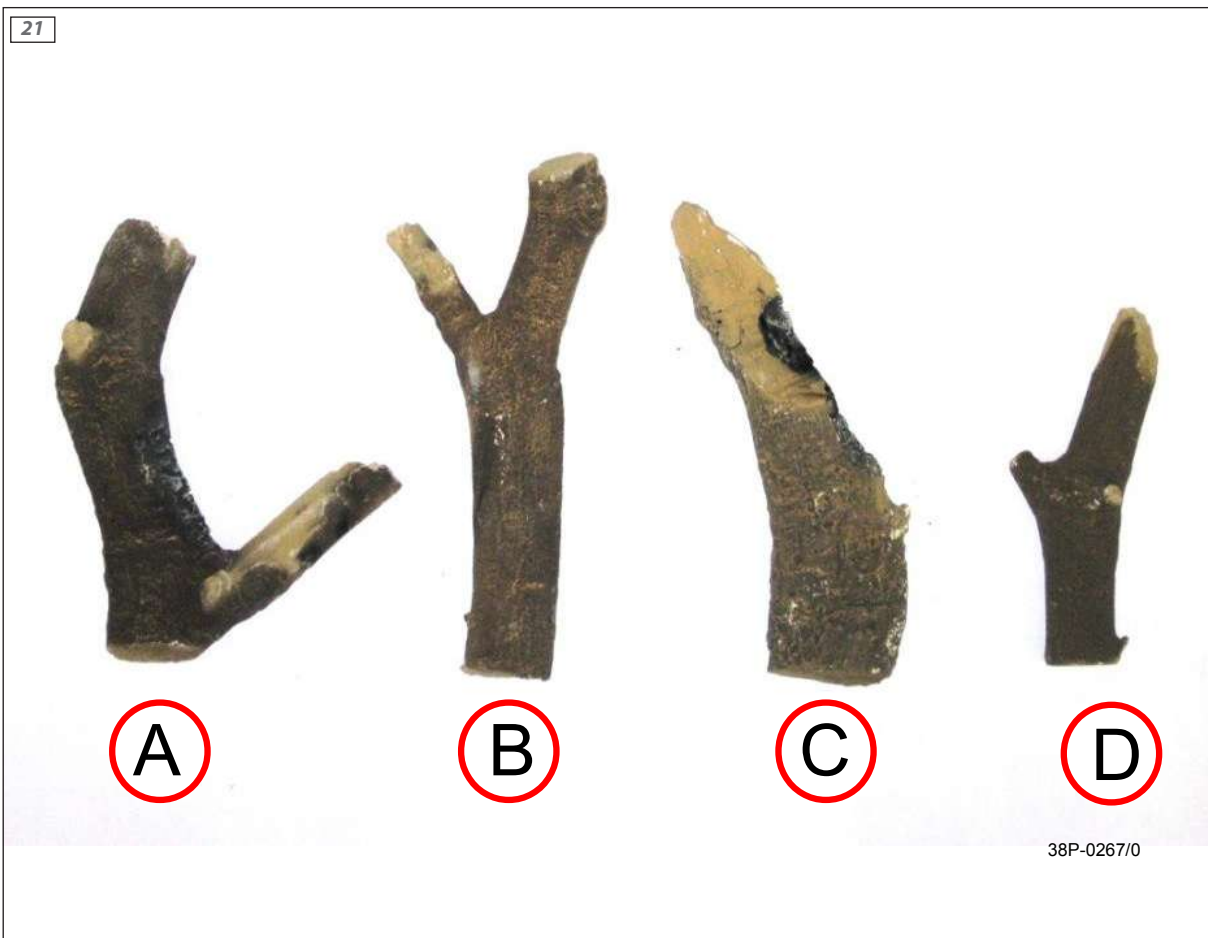
13



14



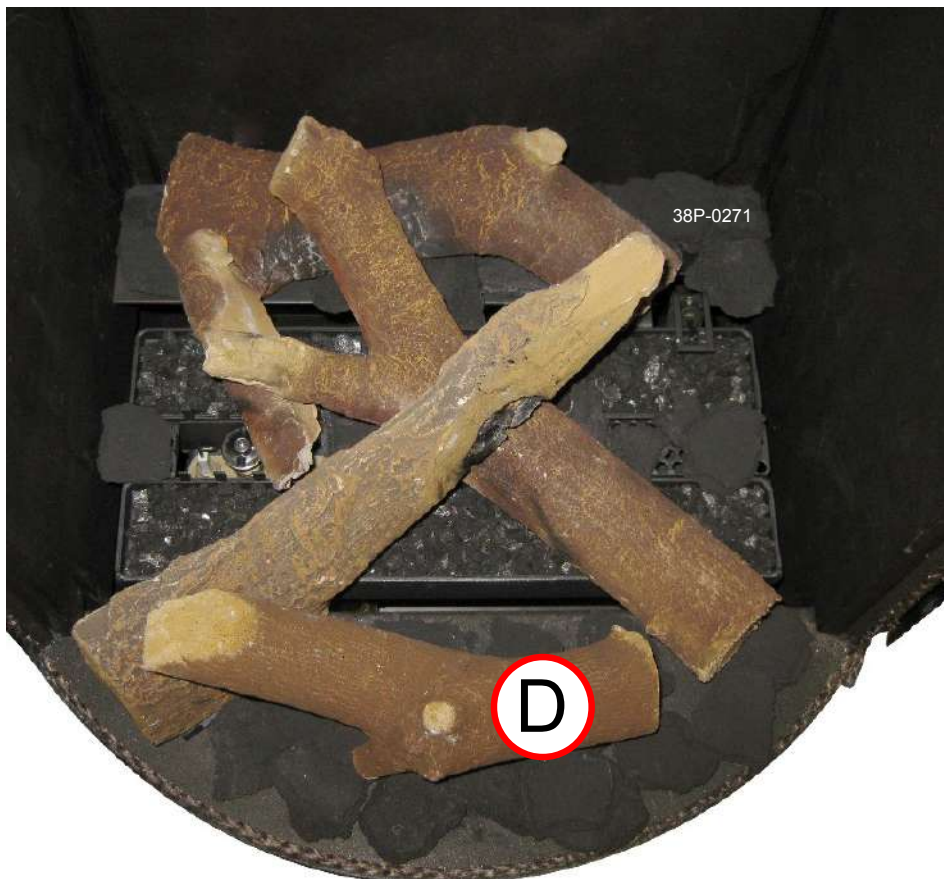


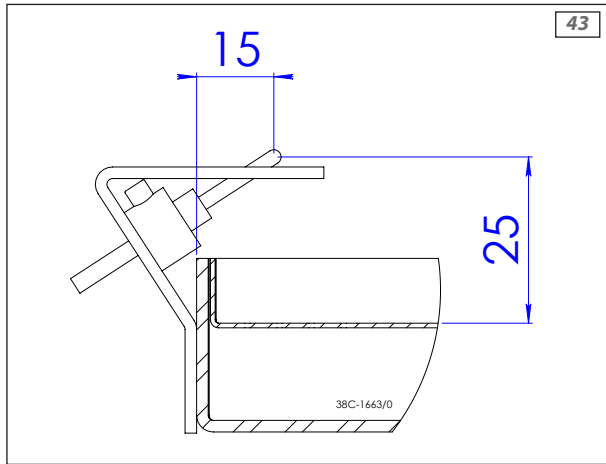
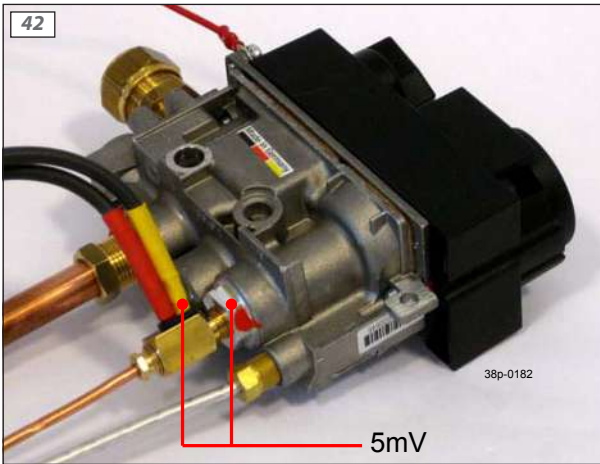
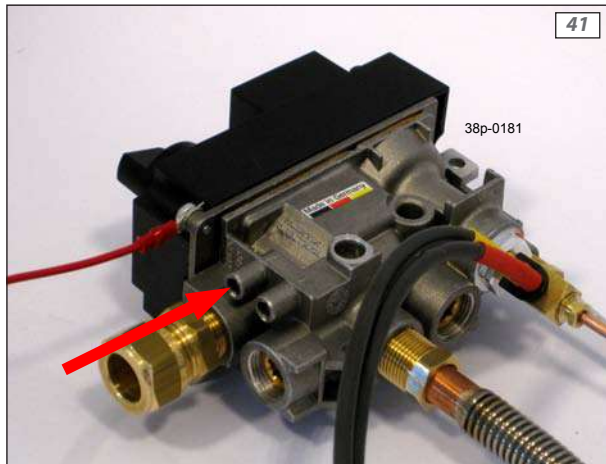
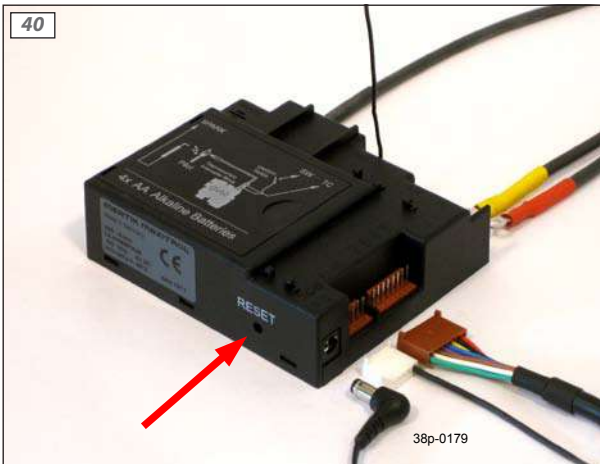
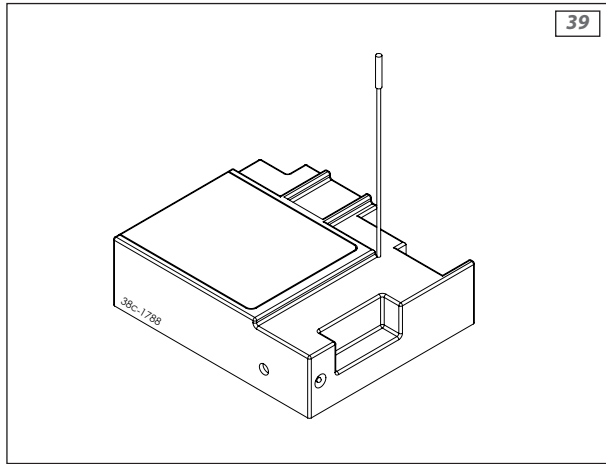
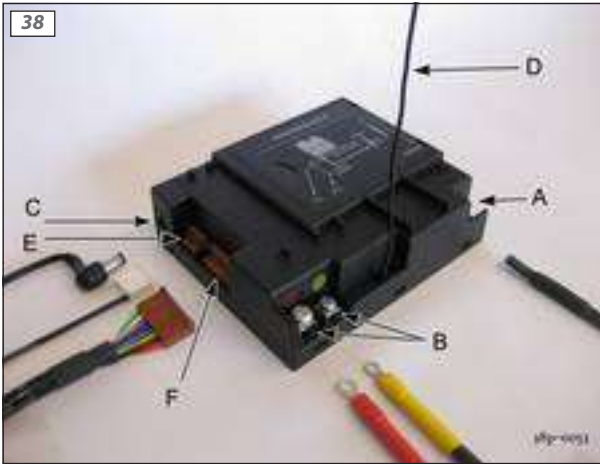


24



25







DRU Verwarming B.V.
The Netherlands
Postbus 1021, NL-6920 BA Duiven
Ratio 8, NL-6921 RW Duiven