

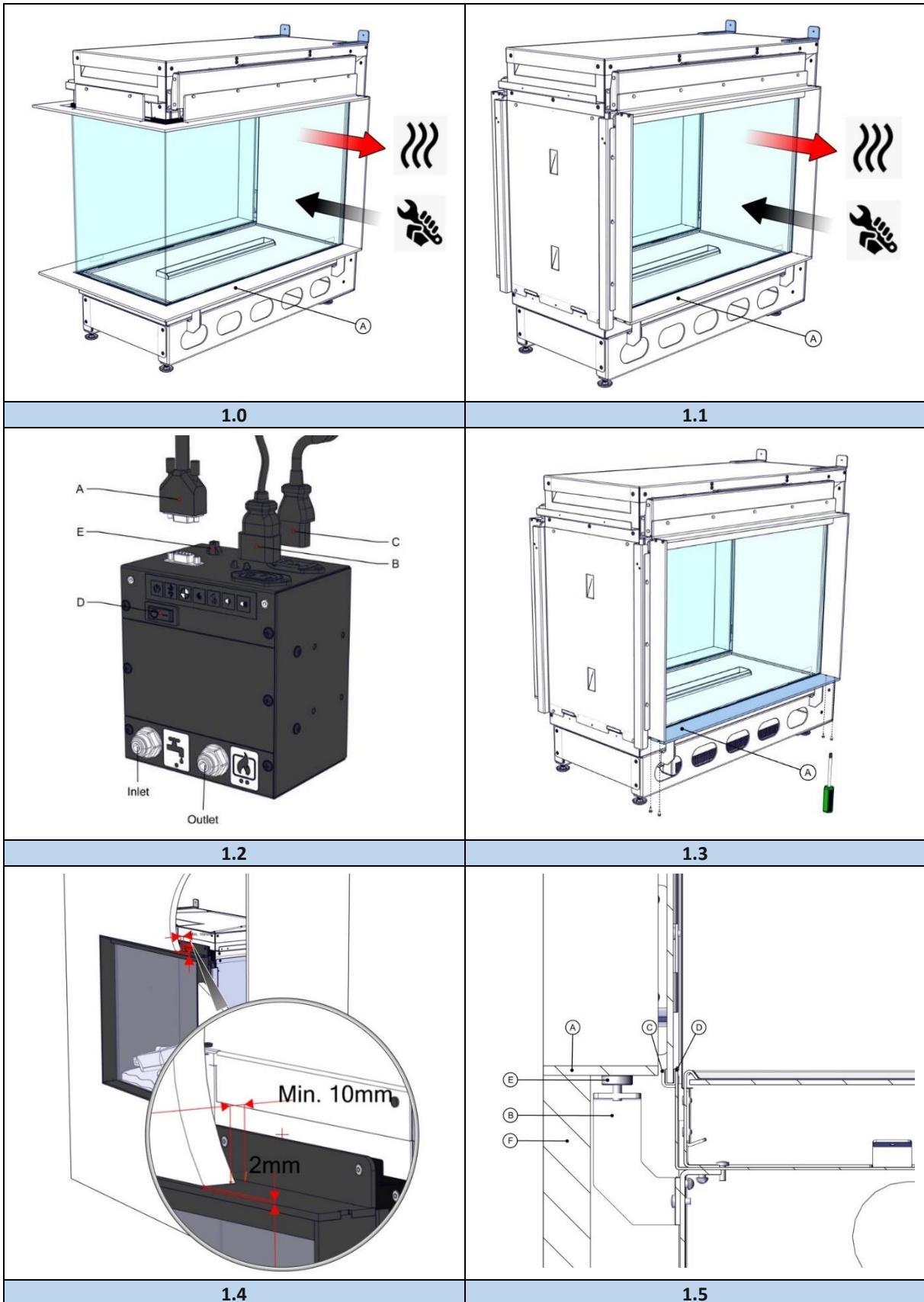
Installation manual
e-Matrix mood 800/500 RD
e-Matrix mood 800/500 ST
ENG

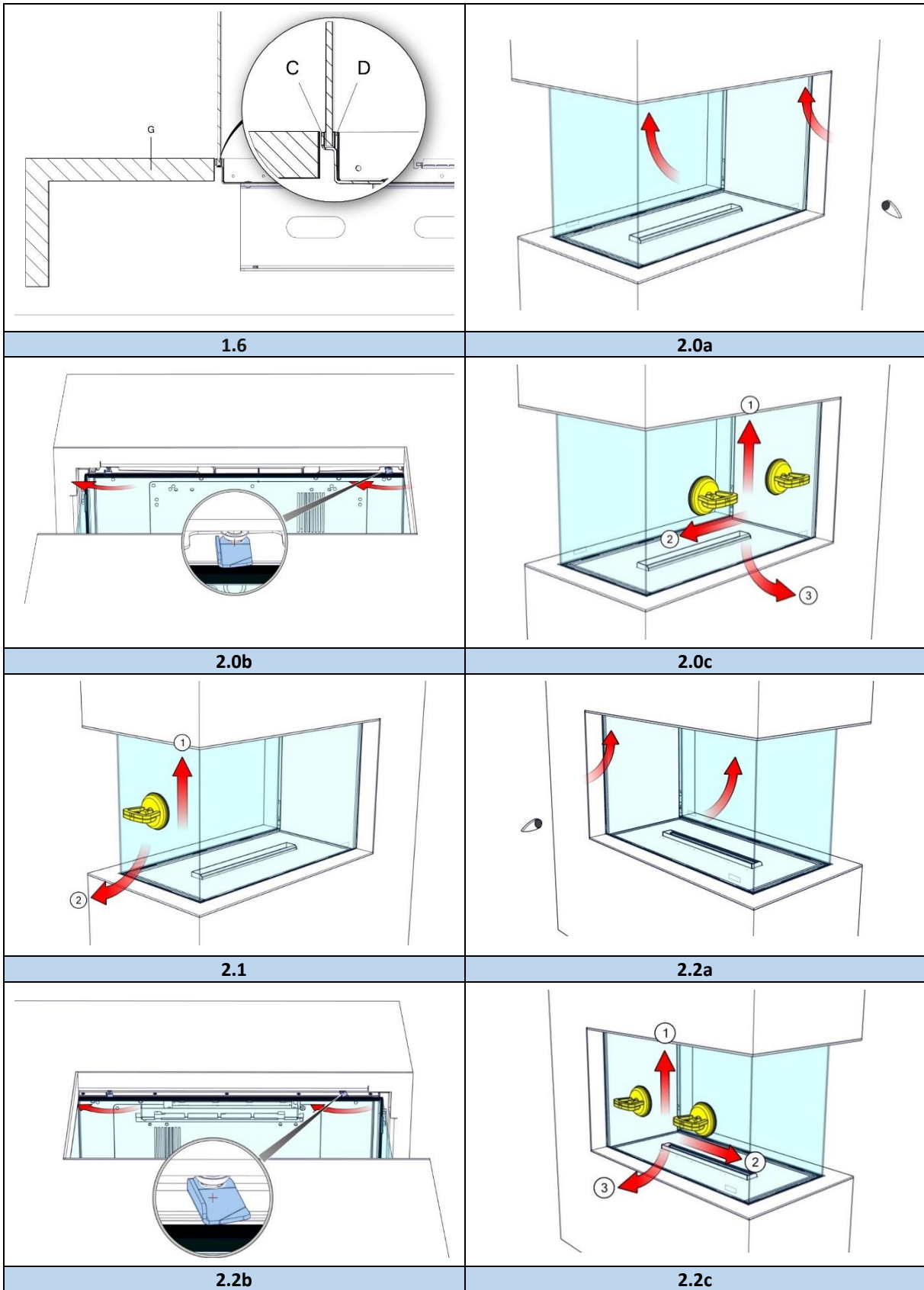


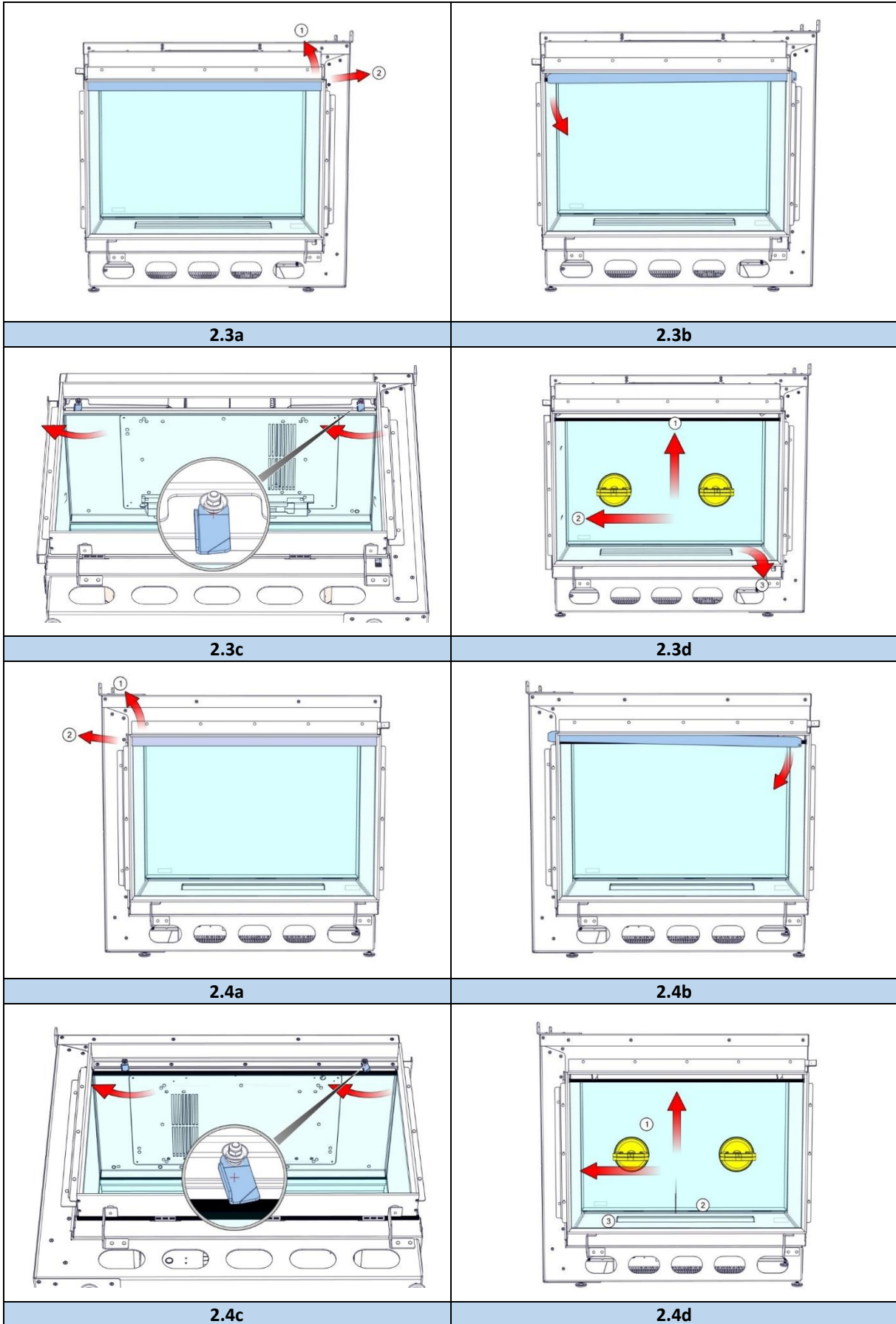
40012144-2345

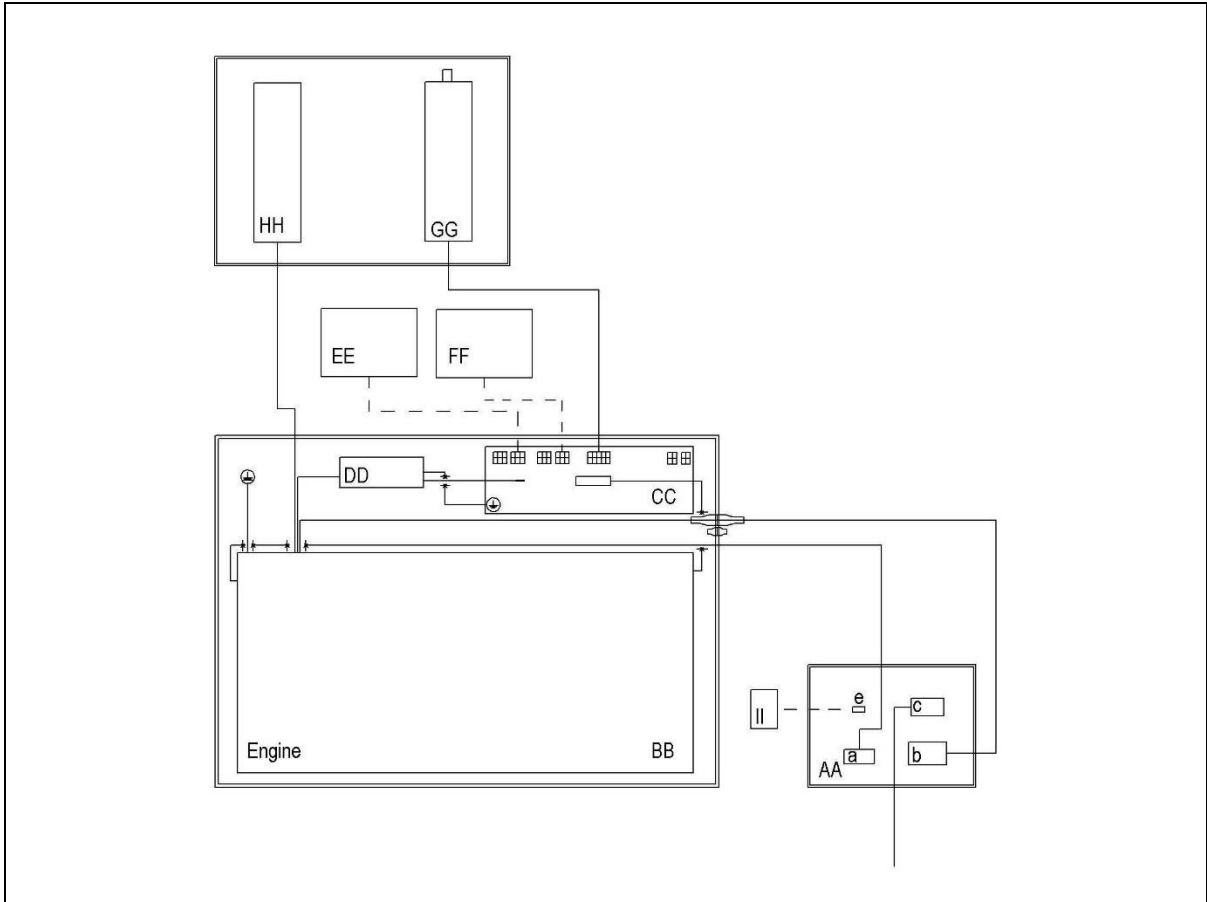




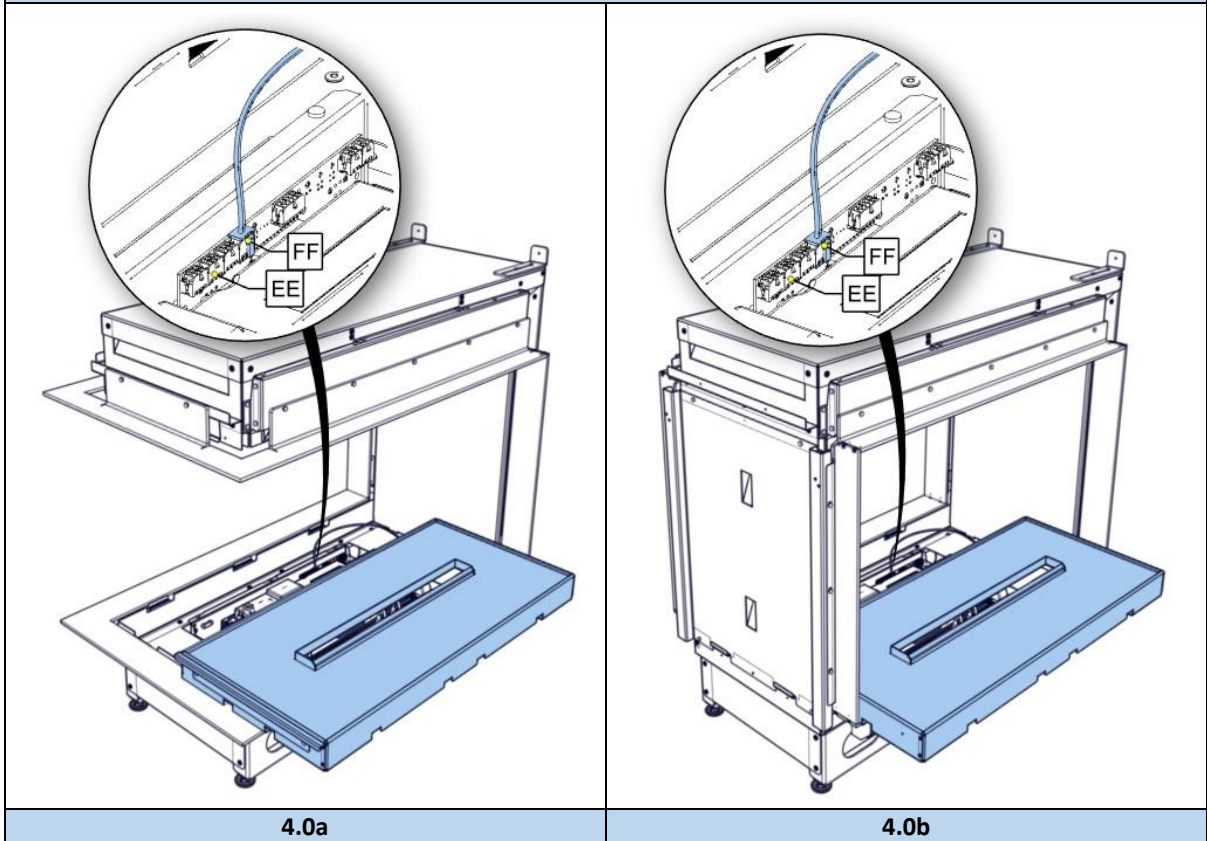








3.0



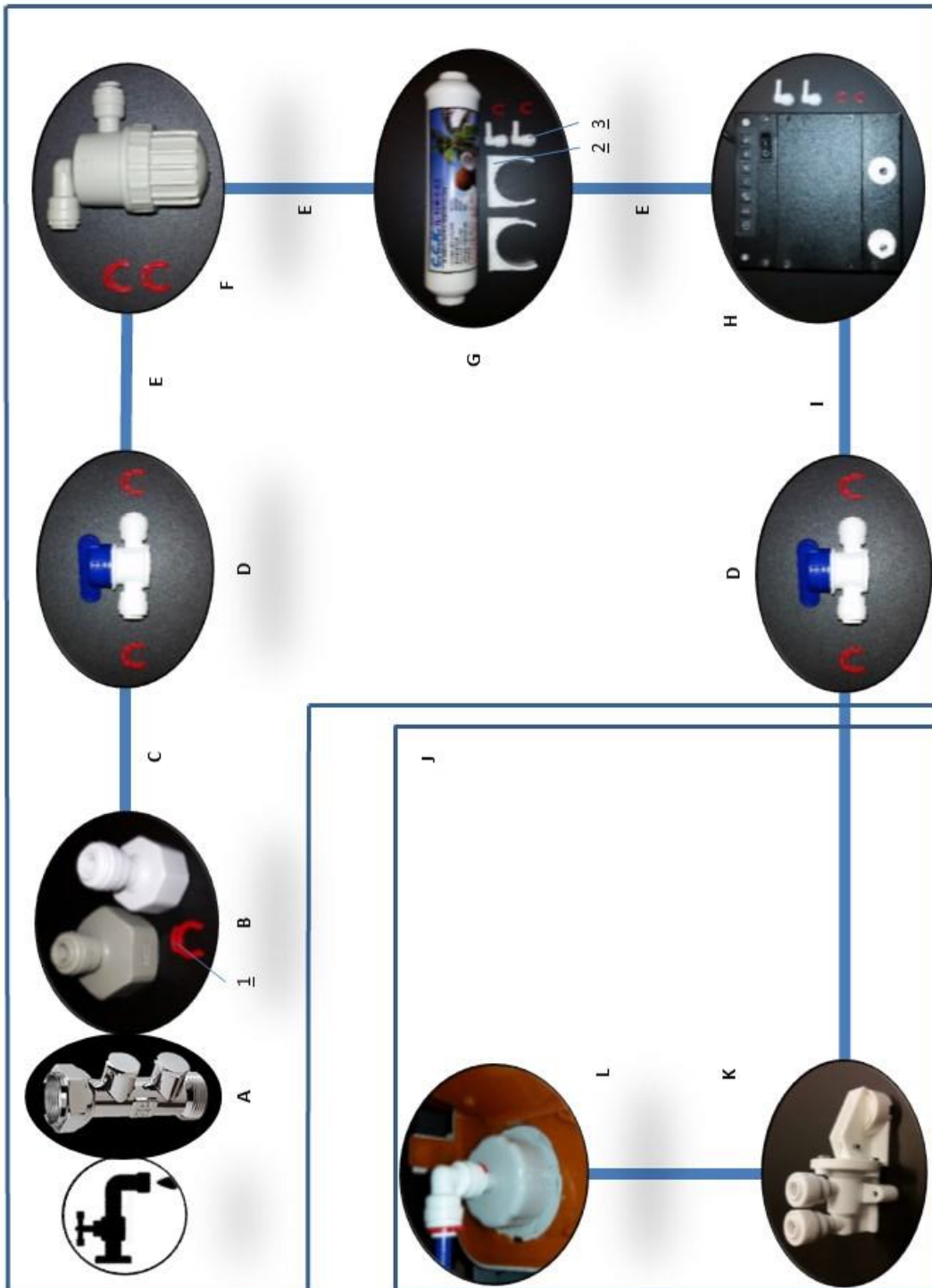
4.0a

4.0b

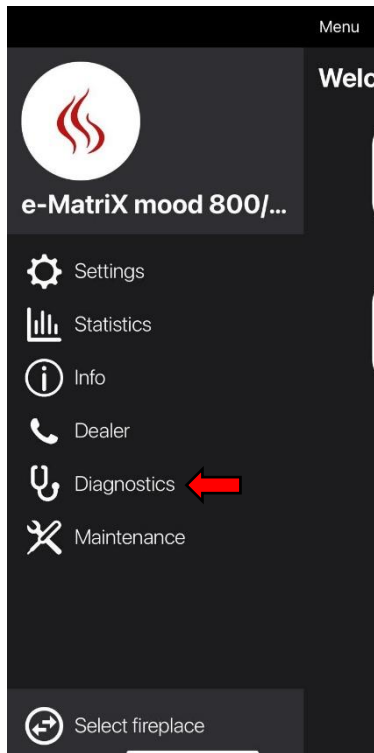

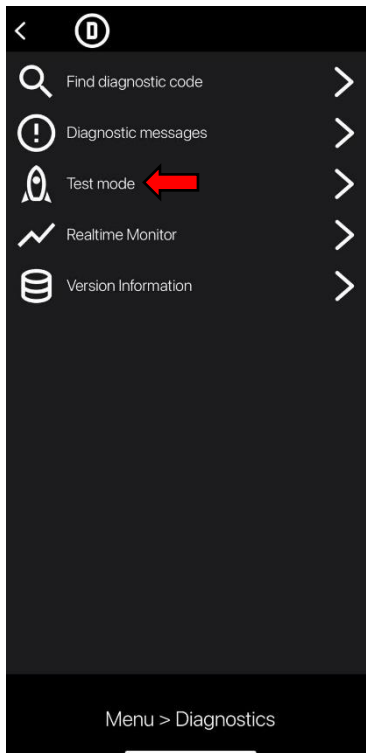
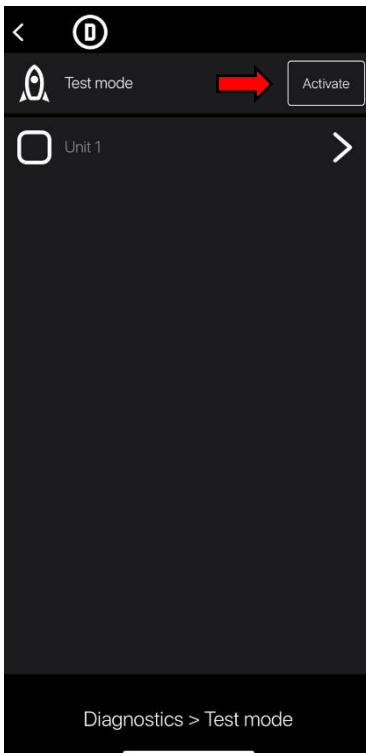
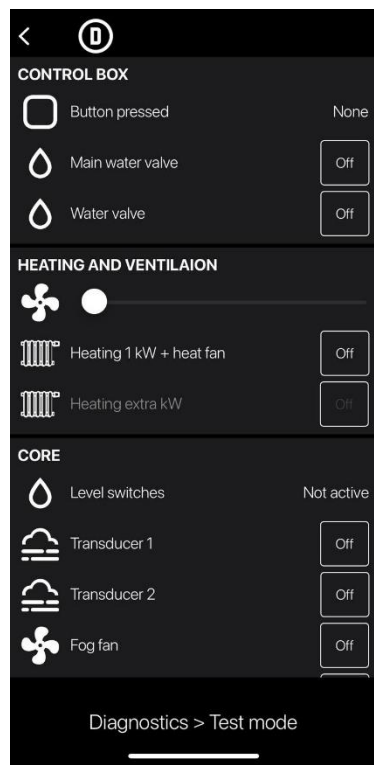
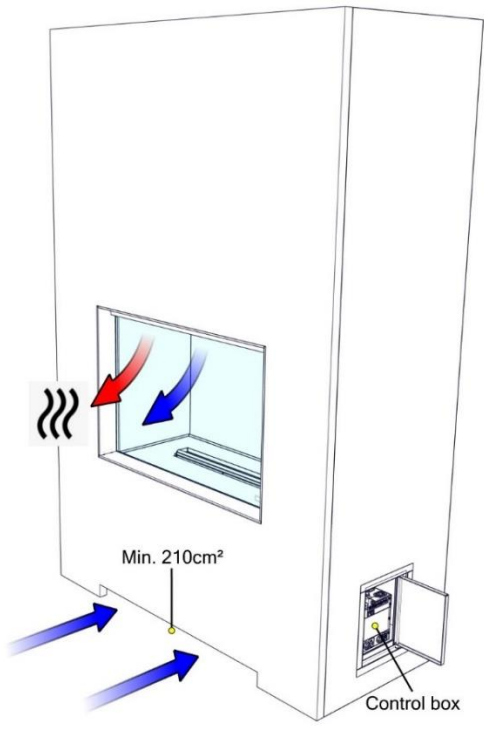
A = EA non-return valve
 B = 1/2 or 3/4" connector
 C = 1/4" 1m pipe
 D = Valve
 E = To be cut from a 1/4" pipe length of 1 meter

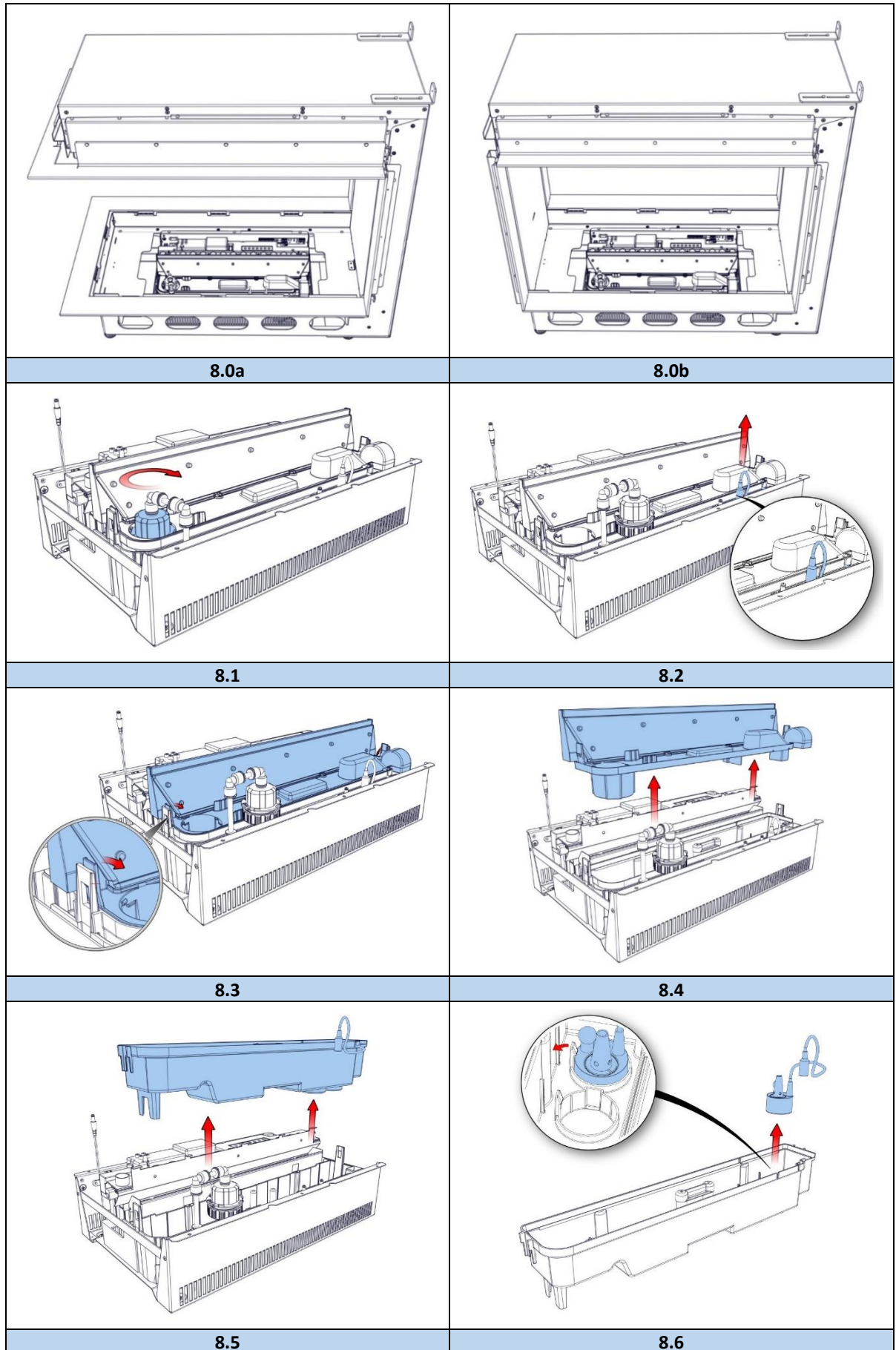
F = Mesh filter
 G = Fine filter
 H = Control box
 I = 1/4" 1.5m pipe
 J = Engine e-Matrix mood

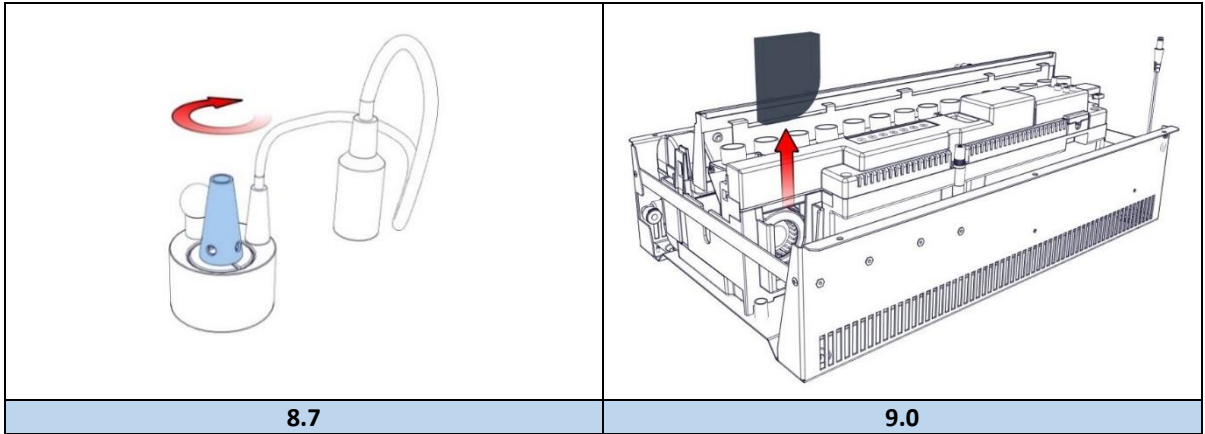
1 = Safety clip (11x)
 2 = Brackets (2x) fine filter
 3 = Elbow coupling (4x)



5.0

 <p>Menu  e-Matrix mood 800/... Settings Statistics Info Dealer Diagnostics ← Maintenance Select fireplace</p>	 <p>Find diagnostic code > Diagnostic messages > Test mode ← > Realtime Monitor > Version Information ></p> <p>Menu > Diagnostics</p>	 <p>Test mode → Activate Unit 1 ></p> <p>Diagnostics > Test mode</p>
6.0	6.1	6.2
 <p>CONTROL BOX <input type="checkbox"/> Button pressed None <input type="checkbox"/> Main water valve Off <input type="checkbox"/> Water valve Off HEATING AND VENTILAION <input type="checkbox"/> Heating 1 kW + heat fan Off <input type="checkbox"/> Heating extra kW Off CORE <input type="checkbox"/> Level switches Not active <input type="checkbox"/> Transducer 1 Off <input type="checkbox"/> Transducer 2 Off <input type="checkbox"/> Fog fan Off Diagnostics > Test mode</p>	 <p>Min. 210cm² Control box</p>	
6.3	7.0	







1 Dear user

Congratulations on your purchase of a Faber fire! A quality product from which you will experience warmth and atmosphere for many years. We recommend that you read this manual carefully before using the fireplace. If any problem arises despite our strict quality control, you can always contact your dealer or Glen Dimplex Benelux B.V.

For any warranty claims, it is essential you first register your fireplace.

➤ Please note!

The details of your fireplace can be found in the user manual.

You can register your fire at: www.faberfires.com

Glen Dimplex Benelux B.V.
Address: Saturnus 8
NL-8448 CC
Heerenveen
Tel: +31 (0)513 656 500
Email: contact@faberfires.com
Info: www.faberfires.com

1.1 Introduction

Only have the fire installed by a qualified installer according to the water and electric safety Regulations. Read this installation manual properly.

Where the installation instructions are not clear, national/local regulations must be followed.

1.2 Check

- Check the fire for transport damage and report any damage immediately to your supplier.
- Check whether all of the parts below are included:
 - Control box;
 - Remote (incl. batteries);
 - Ash material;
 - Suction cups (2x);
 - Remote access door;
 - Spare transducers (2x) and sponge.

1.3 CE declaration

We hereby declare that Glen Dimplex Benelux B.V. released Faber heating appliance by its design and construction method complies with the European Safety Standards EN60335-2-30 and the European Standard Electromagnetic Compatibility (EMC) EN55014, EN60555-2 and EN60555-3 these cover the essential requirements of EEC Directives 2014/35/EU and 2014/30/EU.

Product: electric fire Opti-myst.
Model: e-Matrix mood 800/500 RD
e-Matrix mood 800/500 ST

This declaration will become null and void as soon as the unit is in any way modified without written authorization of Glen Dimplex Benelux B.V.

2 Safety instructions

- Do not use outdoors.
- Do not use in the immediate surroundings of a bath, shower or swimming pool.
- The fire must be installed according this manual.

3 Installation requirements

General

- Provide air supply in the chimney breast;
- Level the fireplace for proper functioning;
- Fix the Control box at an accessible location, see fig. 7.0.

Power supply

- Electric connection -230VAC/50Hz earthed and placed at an accessible location.

Water supply

- Use only the connection material supplied with the fireplace;
- Always install the mesh and in-line filter;
- Install a water connection with an ½" or ¾" external thread connection, placed at an accessible location;
- Install an EA backflow protection valve, this is not included with the appliance;
- The appliance is suitable for water pressure between 0,5 and 8 Bar. Where required, use a pressure reducing valve;
- Due to maintenance frequency, check the water hardness using the included test strips and enter this value in the ITC V3 app, see chapter 4.7.



4 Preparation and installation instructions

4.1 Preparing the fire

- Make sure that all packaging materials have been removed.
- Remove the packaged parts.
- Remove the front glass, see chapter 5.

4.2 Placing the fire

➤ **Please note!**

- Always the fire must be fitted with the back to a wall.
- The fitting of a chimney breast is mandatory.
- For a proper functioning of the fire, always ensure that the fire is levelled.

Floor standing

Place the fire in the correct position and fix it to the wall, see fig. 1.0 or 1.1.

4.3 Installation and finishing

See fig. 1.5 and fig. 1.6.

- A = cover strip
- B = built-in support
- C = glass support
- D = top of the slot (glass)
- E = magnet (adjustable)
- F = false chimney breast
- G = plateau

With cover strip (fig. 1.5)

e-MatriX mood RD:

Build the false chimney breast against built-in support B and (incl. cover strip) not higher than point D. (Adjust the magnets 6mm lower than point D).

e-MatriX mood ST:

Build the false chimney breast against cover strip A and built-in supports B.

Without cover strip (fig. 1.6)

➤ **Please note!**

At the e-MatriX mood ST version, the cover strips are fixed by screws, remove those first, see fig. 1.3.

- Remove built-in support B from the fire, see fig. 1.5.
- Build the false chimney breast against glass support C, see fig. 1.6.

4.4 Built-in structure and aeration requirements

- The construction may not rest on the fire.
- Take into account the thickness of any finishing layer!
- Keep a minimum distance of 10mm between built-in frame and false chimney breast when using combustible material, see fig. 1.4.
- Take into account a minimum distance of 2mm due to expansion of the fireplace, see fig. 1.4.

Aeration

- The e-MatriX needs a minimum free space of 50mm above the fire.
- The e-MatriX needs a minimum aeration of 210cm² underneath the fire, see fig. 7.0.

4.5 Control box (see fig. 1.2)

➤ **Please note!**

Fix the Control box at an accessible location behind the service door, see dimensional drawing 10.3 and 10.4.

Connection of the control box to the e-MatriX, see fig. 1.2:

- A = control cable, 9 pole
- B = extension cable (power supply Control box to Engine)
- C = power cord (power supply Control box)
- D = main switch on/off
- E = external water pump connection (optional)

Electrical connection

➤ **Please note!**

Connect all plugs according to the diagram, see fig. 3.0.

- AA = control box
- BB = Engine
- CC = printed circuit board
- DD = power supply LED
- EE = top lighting (optional)
- FF = bottom lighting (optional)
- GG = fan extraction
- HH = fan heating
- II = external water pump (optional)



- Lead control cable A, from the Engine to the Control box and connect it, see fig. 1.2-A.
- Connect the supplied extension cable B to the Control box, see fig. 1.2-B.
(Max. cable length from the center of the fire to the left is 1,5m.
Max. cable length from the center of the fire to the right is 1,0m).
- Connect the supplied power cord C to the Control box, see fig. 1.2-C.

If desired, a 2m extension set is available (The existing cables are extended by 2m), item number [20901478](#).

Water connection

➤ **Please note!**

Connect all parts according to the flow diagram. See fig. 5.0.

Place the water filters, in the correct direction of flow, in an accessible location. There is a “flow direction” mark on both filters.

Water inlet

Connect the water supply pipe to the (inlet) water connection of the control box (see dimensional drawing 10.3).

Water supply to the Engine

Connect the blue flexible pipe, which protrudes from the side of the fireplace, to the (outlet) water connection on the control box (see dimension drawing 10.3).

Assemble the flexible water pipe

Press the blue flexible pipes 15mm in a coupling piece. When mounting correctly, you feel resistance that you have to push through. Check the connection by pulling the pipe. Secure the connection with the supplied red / or blue safety clips.

➤ **Please note!**

A watertight connection is only guaranteed with safety clips.

Disassemble the flexible water pipe

Remove the red or blue safety clip.
Push the water pipe in the coupling, hold the flange in its position and pull the water pipe out of the coupling.

This appliance is equipped with the following (overflow) protections:

- Electromechanical valve in the control box that is controlled by sensors in the water tank.
- The absorption valve (fig. 5.0-K) in the Engine that kicks in when:
 - the water sump has an unexpectedly overflow;
 - there is no or insufficient aeration in the built-in structure. (The return of water vapor will activate the sponge also).

4.6 LED lighting (optional)

LED bottom lighting

The bottom lighting, which is located in the bottom plate, can be switched on and off with both the remote control and the App. (See user manual). See fig. 3.0-FF and 4.0a or 4.0b for the position of the connection of the led bottom lighting.

LED top lighting

The top lighting can be switched on and off with both the remote control and the app. (See user manual). See fig. 3.0-EE and 4.0a or 4.0b for the position of the connection of the top lighting.

Removing the bottom plate with LED lighting

➤ **Please note!**

To prevent damage / scratches, it is strongly recommended to protect the cover strip, see “A” in fig. 1.0 or 1.1. Should scratches nevertheless occur, this can only be repaired with spray paint (Order number: 09000026).

- Remove the decoration set;
- Lift the bottom plate in the middle and let it rest carefully at the front of the fire. See fig. 4.0a or 4.0b.
- Loosen the plug connection, for this press the retaining clip of the plug. Now remove the bottom plate.

Install LED bottom lighting

- Lift the bottom plate in the middle and let it rest carefully at the front of the fire. See fig. 4.0a or 4.0b.
- Insert the plug into the correct connector of the terminal block (see fig. 3.0-FF and 4.0a or 4.0b) and carefully place the bottom plate. (Check that the cable will not block the outflow opening (fire opening) of the Engine.)

4.7 Checking the water hardness

Water quality plays a major role in the operation and frequency of fireplace maintenance. Checking the water hardness gives an indication for fireplace maintenance.

What is hard water?

Hard water is water that contains a lot of lime (calcium and magnesium) and this affects the composition of the water extracted from it. This is true even if your own well (groundwater) is used.

What the water hardness is of your region, you test with special supplied test strips. The water hardness can also be found on the website of your water supplier.

To set the water hardness in the ITC V3 app :
Navigate to : *Menu > Settings > Water > Water hardness* and enter the value using the slider.

For the video instruction simply scan this QR code:



4.8 Test mode

Do a performance test (see chapter 7) and check all water connections for leaks, before installing the decoration set and the front glass.

Functional test via the ITC-V3 app

(Only possible in dealer setting).

Make sure the app is connected to the fire.

Navigate to: *Menu -> Diagnostics / Test mode* and push "Activate", see fig. 6.0 to 6.3.

The Engine can be tested for function.

All components are also checked by a self-test in the normal starting procedure.

Any error messages are displayed in the App.

Click on the "exclamation mark" symbol at the top left of the screen for additional information about the notification.

5 Removing glass

5.1 e-MatriX mood RD

Front glass (see fig. 1.0, provide service from this side).

- Rotate both glass clamps clockwise. See fig. 2.0a and 2.0b.
- Place the suction cups and remove the front glass. See fig. 2.0c.

For replacing the glass repeat the steps in reverse order.

Second front glass

For cleaning only it's not necessary to remove this glass.

- Rotate both glass clamps clockwise. See fig. 2.2a and 2.2b.
- Place the suction cups and remove the front glass. See fig. 2.2c.

For replacing the glass repeat the steps in reverse order.

Side glass

For cleaning only it's not necessary to remove this glass.

- Place the suction cups and remove the glass. See fig. 2.1.

For replacing the glass repeat the steps in reverse order.

5.2 e-MatriX mood ST

Front glass (see fig. 1.1, provide service from this side)

- Remove the cover list. See fig. 2.3a and 2.3b.
- Rotate the glass clamp clockwise. See fig. 2.3c.
- Place the suction cups and remove the glass. See fig. 2.3d.

For replacing the glass repeat the steps in reverse order.

Second front glass

For cleaning only it's not necessary to remove this glass.

- Remove the cover list. See fig. 2.4a and 2.4b.
- Rotate the glass clamp clockwise. See fig. 2.4c.

- Place the suction cups and remove the glass. See fig. 2.4d.

For replacing the glass repeat the steps in reverse order.

6 Decoration set

➤ Please note!

To get the right glow effect, the (optional) bottom lighting must be switched on at 100% intensity.

Make sure the ITC-V3 App is connected to the fire.

Click on “Personalise” and set “bottom lighting intensity” to maximum.

6.1 Log set

See the included decoration instruction card or Chapter 11:

➤ Please note!

Placing the logs is a meticulous job, this determines the flame distribution.

Do not let any decoration material fall into the outflow (fire) opening.

The outflow openings may not be completely covered.

- Divide the mini chips over the bottom.
- Place the first two logs over the middle section in the recesses provided for this.
- Place the remaining logs.
- Apply the ash material.

Fine tuning of the glow bed

By placing the decoration chips close together you create a real glow bed.

6.2 Pebbles/Acrylic ice

Spread an even amount of Pebbles or Acrylic-ice on the bottom plate.

7 Functional test

- See “Using the appliance for the first time” in chapter 6 of the user manual.
- Check all connections for water leaks.
- Check the operation of the extractor fan.
- Check the operation of the heating fan.
- Check the operation of the remote control at the desired distance (max. 8m).
- Check the operation of the app.
- Place the decoration set, see chapter 6.
- Place the front glass, see chapter 5.1.
- Do a final functional test.

8 Maintenance

8.1 Maintenance frequency

- Cleaning water sump, air filter and replacing the transducer.
Commercial use:
 - Every three months.Domestic use:
 - Once a year.
- Cleaning mesh filter and replacing in-line filter depends on water hardness that is given in the ITC V3 app. The app alerts when maintenance is required.

Cleaning water sump

➤ Please note!

- Always press the mains switch of the Control box to the OFF (0) position, see fig. 1.2-D and disconnect the power supply,
- Never use abrasive cleaners.

1. Remove the front glass, see chapter 5.1.
2. Remove the decoration set, see chapter 6.
3. Lift the bottom plate in the middle and let it rest carefully at front of the fire. See fig. 4.0a or 4.0b.
4. Disconnect the plug connection, pressing in the plug's locking clip to do so. Remove the base plate to gain full access to the engine, see fig. 8.0a or 8.0b;
5. Disconnect the “fill cap” by turning it clockwise, see fig. 8.1.
6. Disconnect the transducer cable, see fig. 8.2.
7. Release the clip on both sides and remove the nozzle, see fig. 8.3 and 8.4.
8. Without spilling any water, lift up the water sump gently and empty the water sump, see fig. 8.5.
9. The transducer is fixed in the water sump with a plastic clip. Push the clip backwards gently and remove the transducer, see fig. 8.6.
10. Put a small amount of washing up liquid into the water sump and using a soft brush to clean the sump. Also clean the transducer, including the disc underneath the cone. Remove the cone by turning it clockwise, see fig. 8.7.
11. When cleaned, thoroughly rinse the water sump with clean water to remove all traces of washing up liquid.
12. Clean the nozzle (fig. 8.4) with a soft brush and flush out thoroughly with water.

Reverse the steps above to reassemble.

Cleaning air filter

1. Gently slide the air filter upwards out of its plastic holder, see fig. 9.0.
2. Gently rinse with water in the sink and dry with fabric towel before returning.
3. Replace the air filter.
4. Place the decoration set, see chapter 6.
5. Place the front glass, see section 5.1.

Replacing the transducer

➤ **Please note!**

Press the mains switch of the Control box to the "OFF" (0) position, see fig. 1.2-D and disconnect the power supply.

1. Follow the first 9 steps in section "Cleaning water sump" in chapter 8.1 to gain access and remove the transducer.
2. Place the new transducer and repeat the steps above in reverse order.
(Please take note that the transducer cable will not block the opening of the cone).

Cleaning mesh filter

1. Turn off the water supply.
2. Close the ball valves.
3. Unscrew the base and clean the filter inside.

Replacing in-line filter

1. Turn off the water supply.
2. Close the ball valves.
3. Replace the filter. Note the flow direction mark on the filter!

8.2 Resetting absorption valve

When the absorption valve (fig. 5.0-K) is activated, the sponge need to be replaced. The absorption valve is located on the right front at the bottom of the Engine.

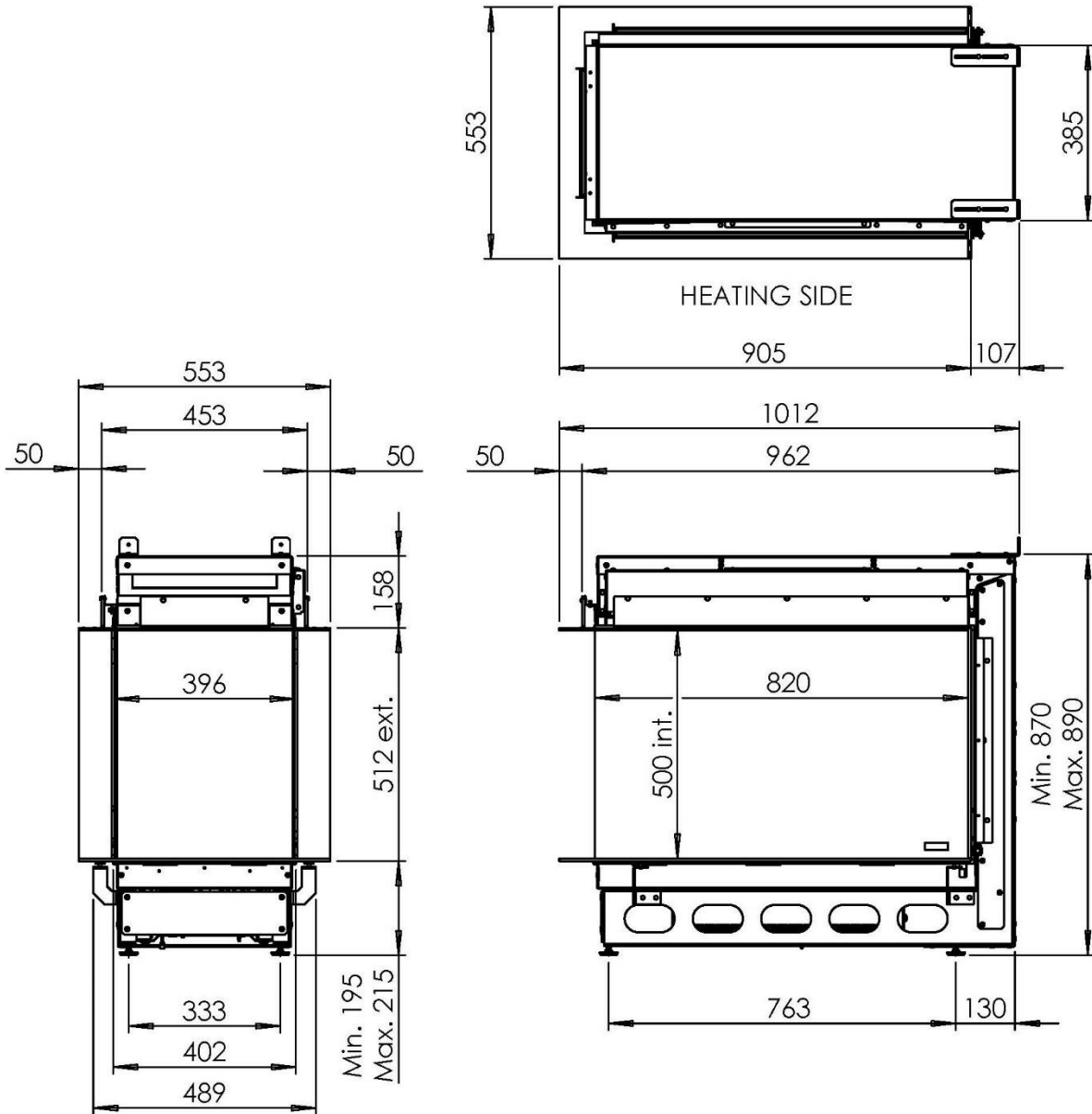
1. Take out the sponge.
2. Fix the cause of the water leakage and remove any water at the bottom of the engine.
3. Place the new sponge and open the absorption valve by pressing down the white clamp.

9 Technical data

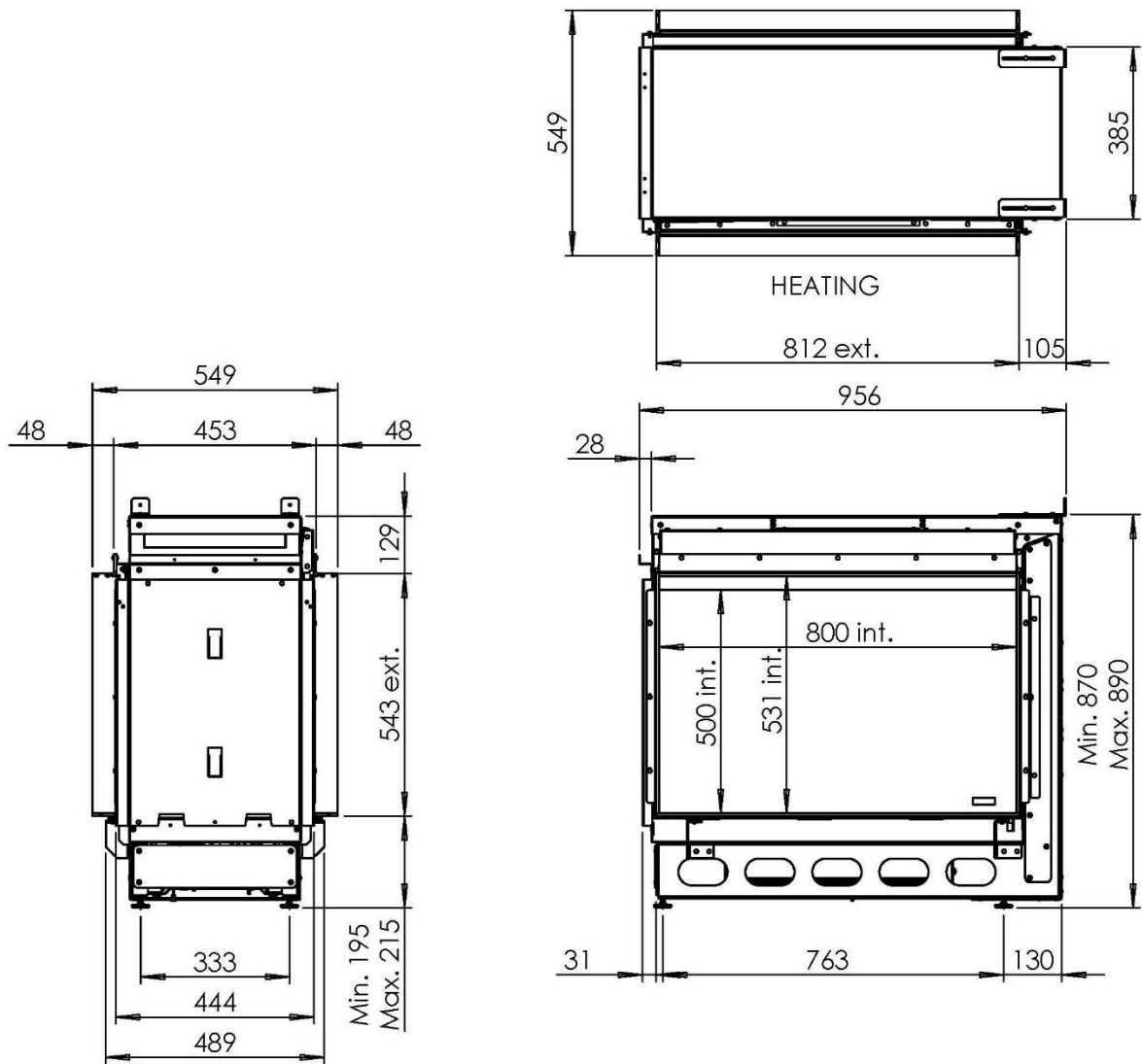
		230 V	240 V
Input Figures	Full Heat	1955 W	2129 W
	Half Heat	1109 W	1208 W
	Flame only	232 W	253 W
	Standby	21 W	23 W
	Batteries remote	(2x) 1,5 AA V	
	Water consumption	0,15 L/h	
	Inlet water pressure	0,5-8 Bar	
	Water connection	½ or ¾ Inch	

10 Dimensional drawings

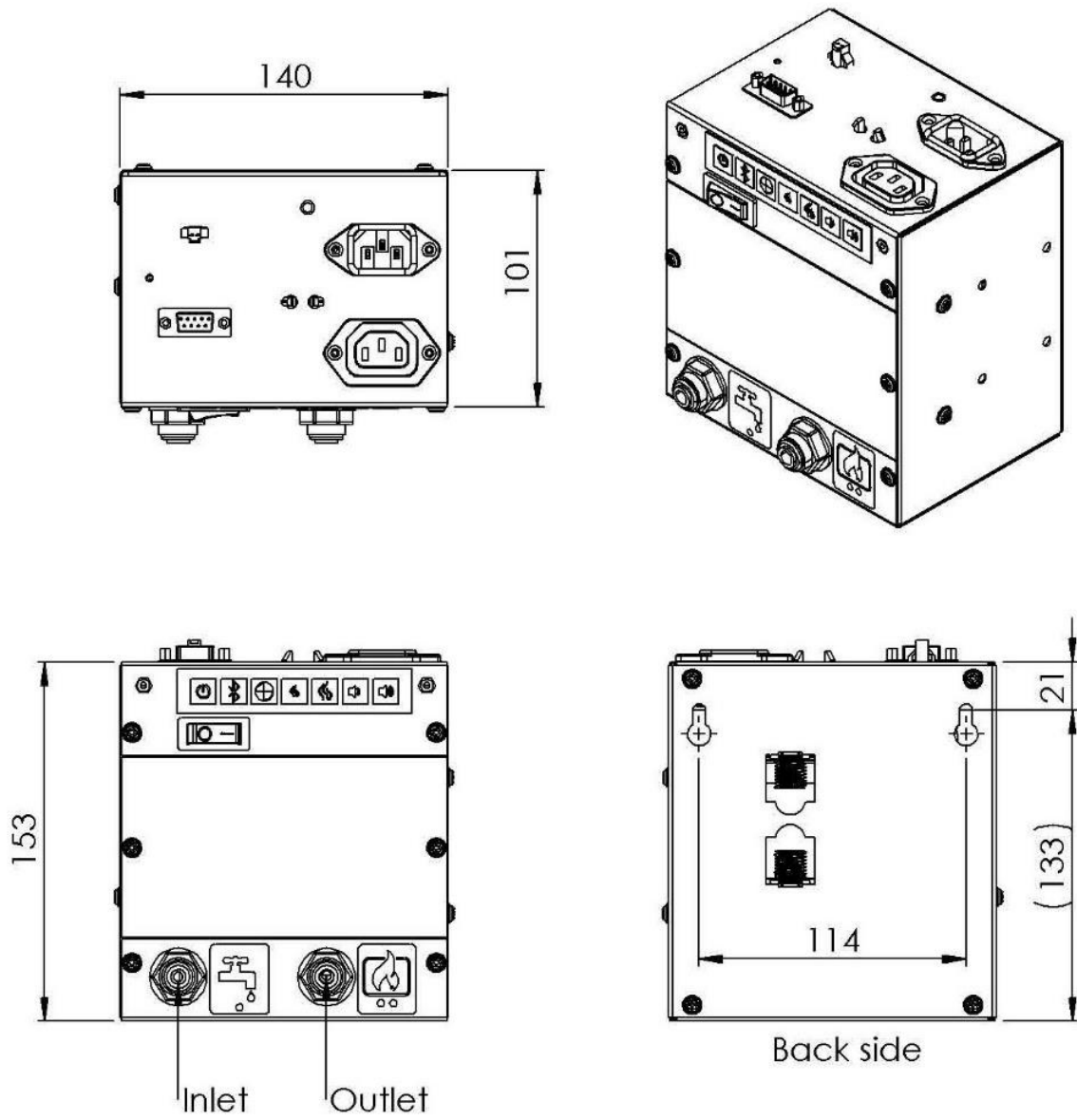
10.1 e-MatriX mood 800/500 RD



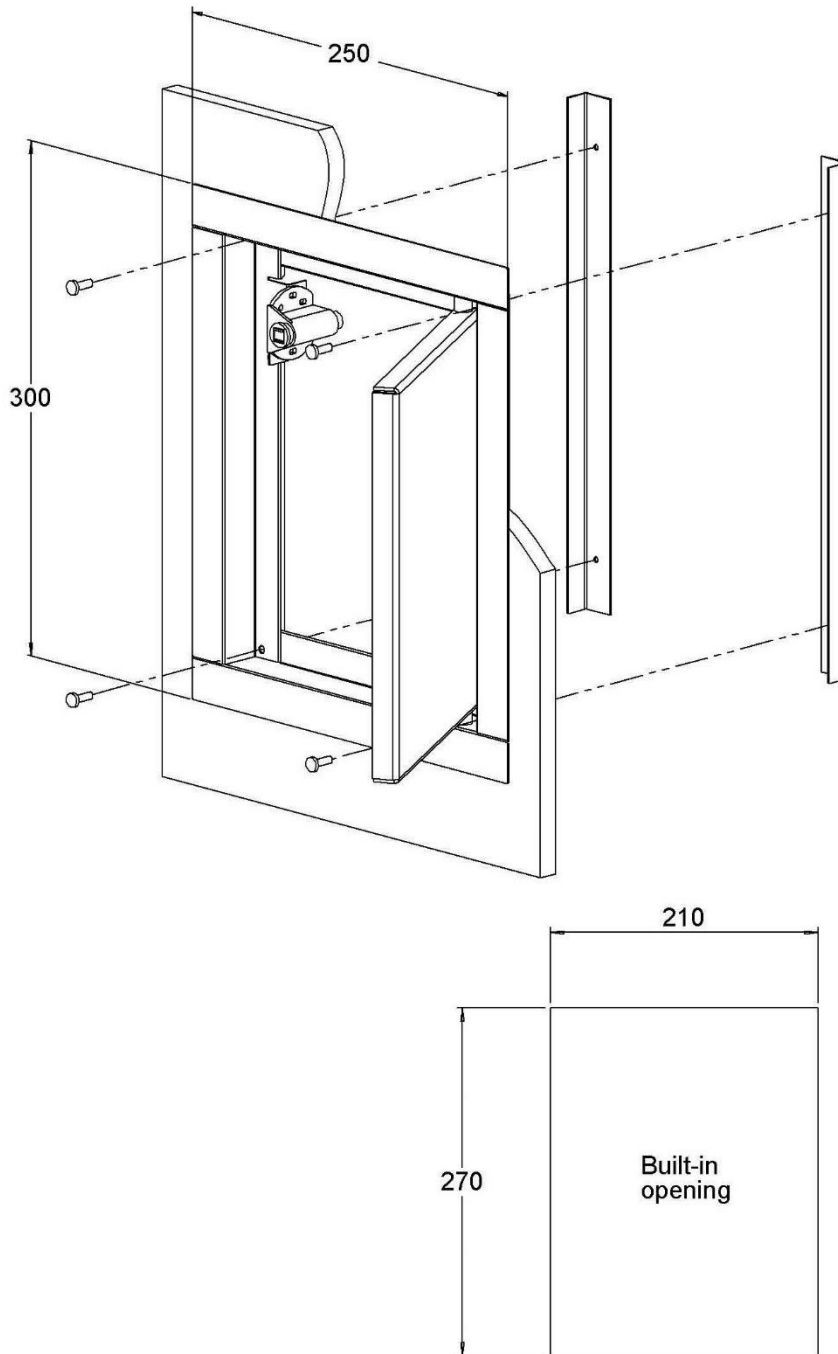
10.2 e-Matrix mood 800/500 ST



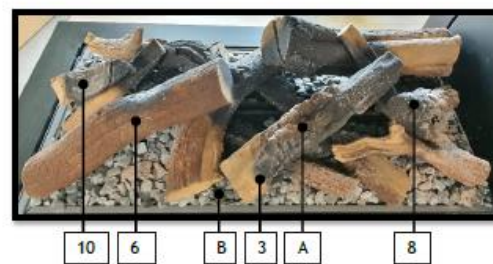
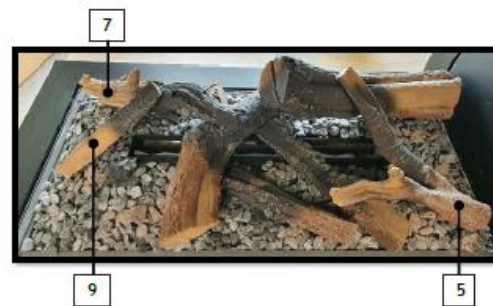
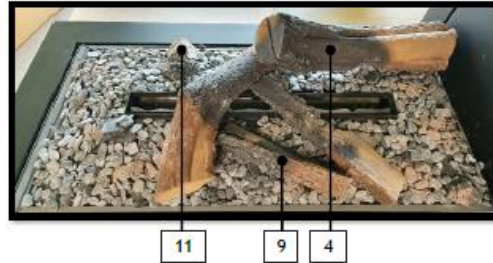
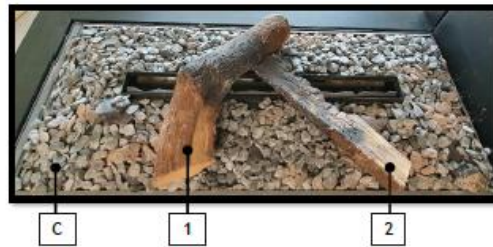
10.3 Control box (article number 207869)



10.4 Remote access door (article number 20879500)



11 Decoration instruction card



Pebbles



Acrylic ice







www.faberfires.com

Saturnus 8

Postbus 219

contact@faberfires.com

NL 8448 CC Heerenveen

NL 8440 AE Heerenveen